

# YZ-4 SF

## SETTING SHEET Ver.01

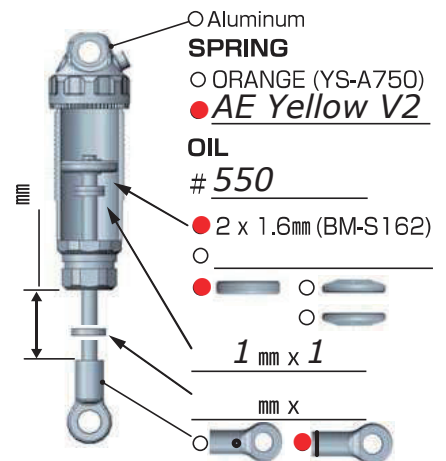
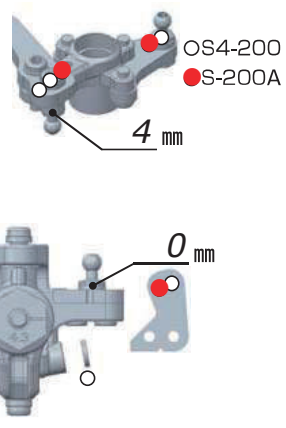
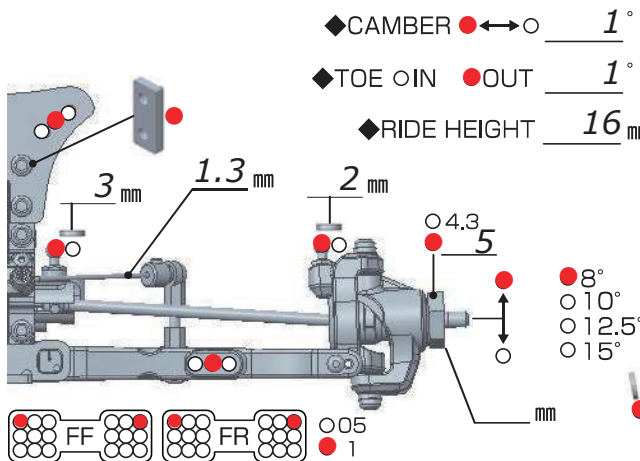
### CIRCUIT *Hobby Action / Desert Classic*

- INDOOR  OUTDOOR
- DIRT  CASTROTURF  CARPET  GRASS  WOOD
- WET  DRY  DUSTY  SMOOTH  BUMPY
- HARD PACKED  CLAY  BLUE GROOVE  \_\_\_\_\_
- LOW TRACTION  MED TRACTION  HIGH TRACTION

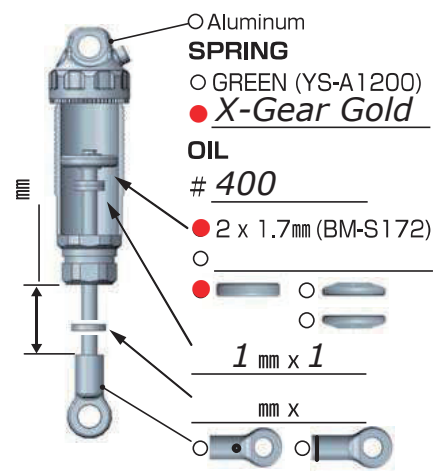
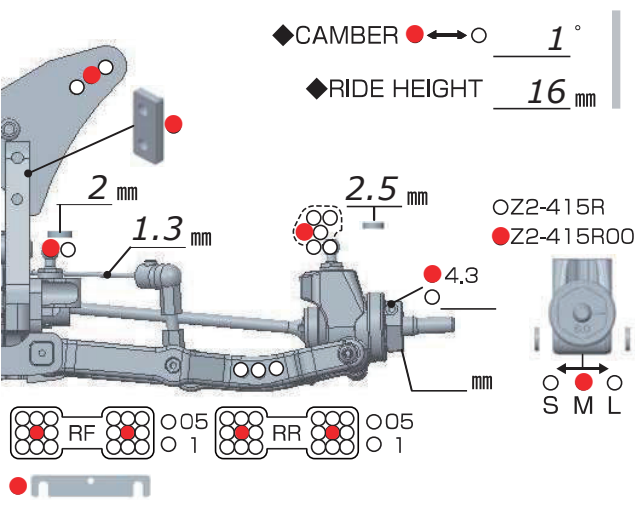
DRIVER *Ryan Maifield*

DATE *March 8, 2020*

## FRONT



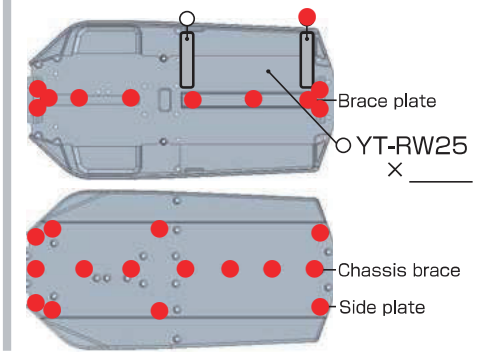
## REAR



## DRIVE



- MOTOR  $\rightarrow$  *Hobbywing 5.5* Rotor \_\_\_\_\_ mm
- GEAR  $\rightarrow$  Spur 80T / Pinion 20 T:  2.5 /  2.35
- BATTERY  $\rightarrow$  *Pro-Tek 4100*
- ESC  YOKOMO RPX  YOKOMO BL-PRO4  
 *Hobbywing Elite*

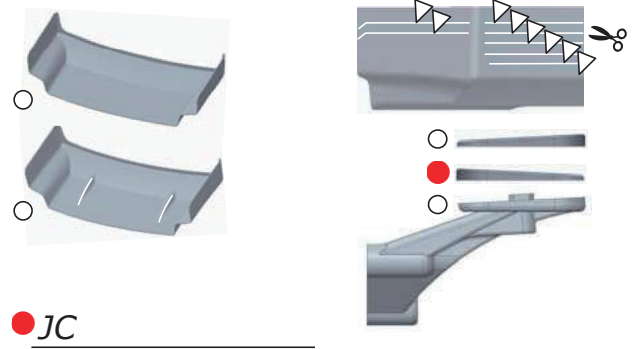


## TIRE

**FRONT**  
 TIRE  $\rightarrow$  *JC Ellipse (Slicks) Silver*  
 INSERTS  $\rightarrow$  *Standard*  
 WHEELS  $\rightarrow$  *JConcepts*

**REAR**  
 TIRE  $\rightarrow$  *JC Ellipse (Slicks) Silver*  
 INSERTS  $\rightarrow$  *Standard*  
 WHEELS  $\rightarrow$  *JConcepts*

## OTHER



Front Shock Stroke 22.5  
 Rear Shock Stroke 28.5  
 Rear Shock End = *Shortest*  
 Pro-Tek 160t Servo  
 10 grams behind motor

COMMENT