

YZ-4 SF

SETTING SHEET Ver.01

CIRCUIT

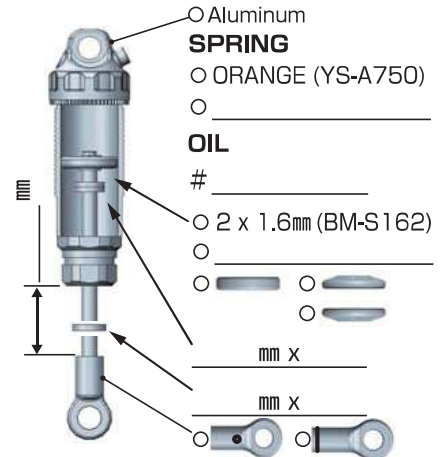
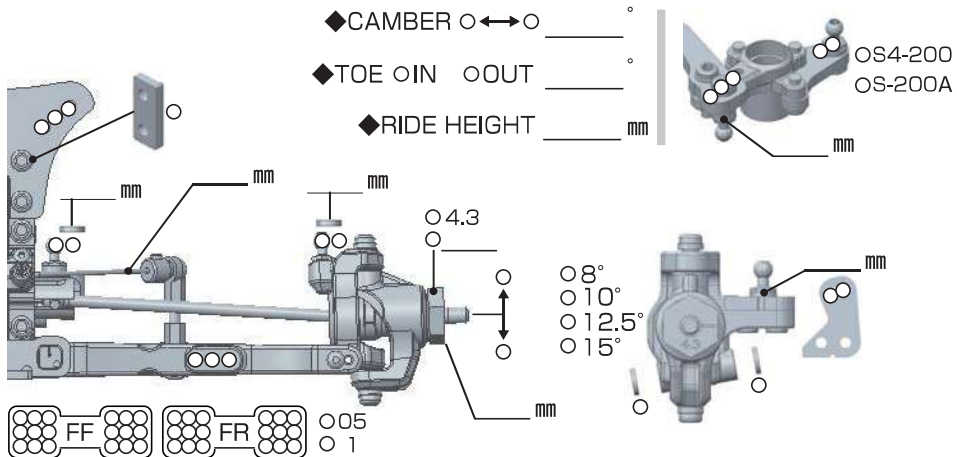
INDOOR OUTDOOR
DIRT ASTROTURF CARPET GRASS WOOD
WET DRY DUSTY SMOOTH BUMPY
HARD PACKED CLAY BLUE GROOVE _____
LOW TRACTION MED TRACTION HIGH TRACTION

DRIVER _____

DATE _____

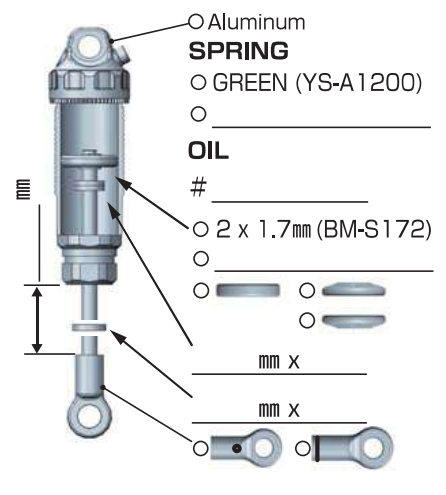
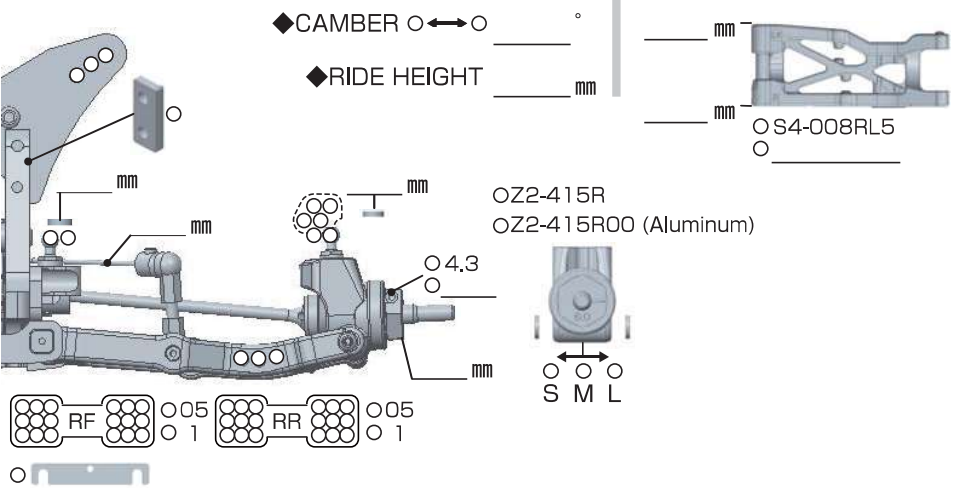
FRONT

◆CAMBER ↔ _____ °
 ◆TOE IN OUT _____ °
 ◆RIDE HEIGHT _____ mm



REAR

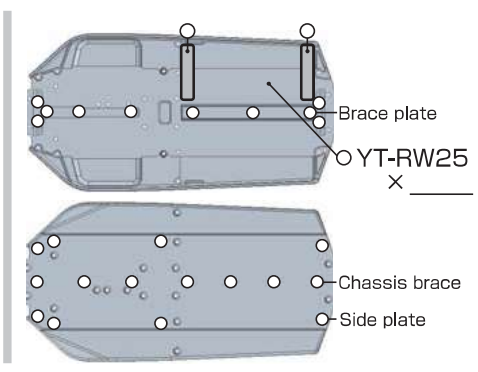
◆CAMBER ↔ _____ °
 ◆RIDE HEIGHT _____ mm



DRIVE



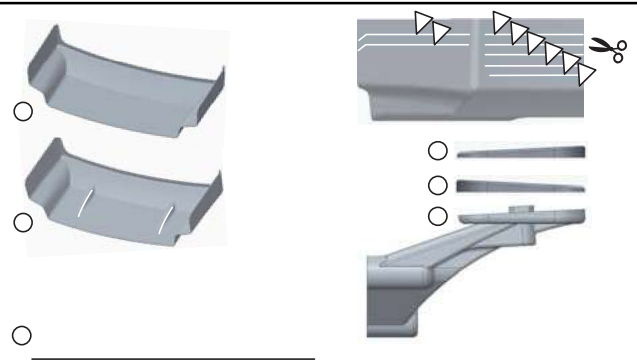
MOTOR ↷ _____ Rotor _____ mm
 GEAR ↷ Spur T / Pinion T : 2.5 / 2.35
 BATTERY ↷ _____
 ESC YOKOMO RPX YOKOMO BL-PRO4



TIRE

FRONT
 TIRE ↷ _____
 INSERTS ↷ _____
 WHEELS ↷ _____
REAR
 TIRE ↷ _____
 INSERTS ↷ _____
 WHEELS ↷ _____

OTHER



COMMENT _____