

# YZ-4 SF2

## SETTING SHEET Ver.01

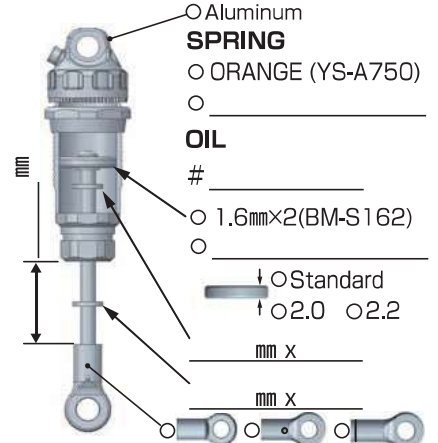
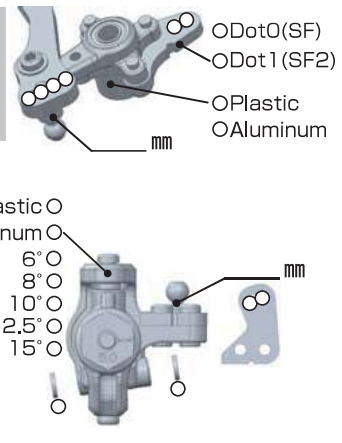
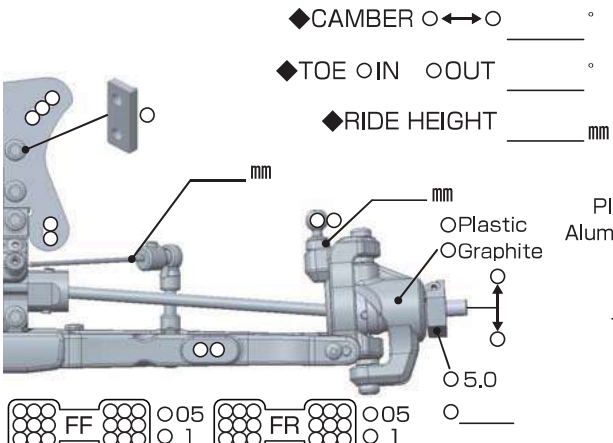
### CIRCUIT

INDOOR  OUTDOOR  
 DIRT  ASTROTURF  CARPET  GLASS  WOOD  
 WET  DRY  DUSTY  SMOOTH  BUMPY  
 HARD PACKED  CLAY  BLUE GROOVE  \_\_\_\_\_  
 LOW TRACTION  MED TRACTION  HIGH TRACTION

DRIVER \_\_\_\_\_ DATE \_\_\_\_\_

### FRONT

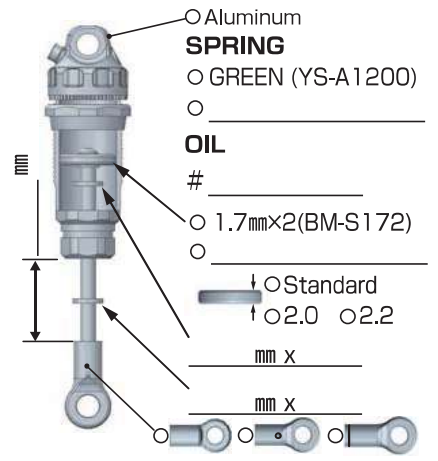
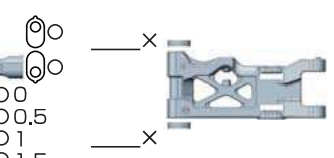
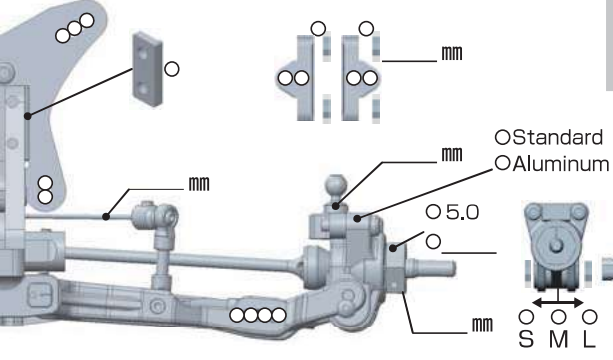
◆CAMBER  ←  → \_\_\_\_\_ °  
 ◆TOE  IN  OUT \_\_\_\_\_ °  
 ◆RIDE HEIGHT \_\_\_\_\_ mm



FF  O05  O1  
 FR  O05  O1

### REAR

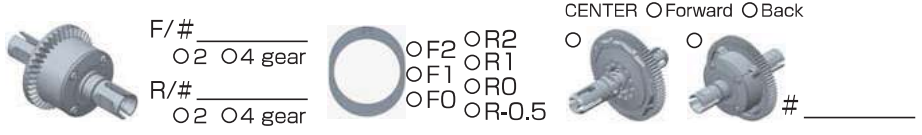
◆CAMBER  ←  → \_\_\_\_\_ °  
 ◆RIDE HEIGHT \_\_\_\_\_ mm



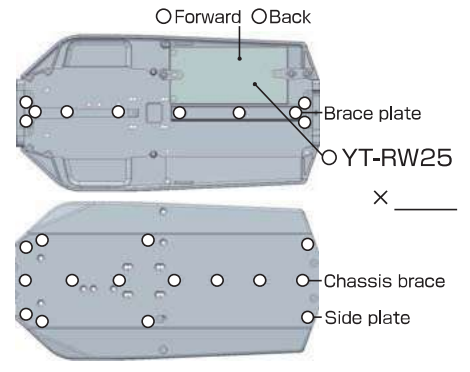
RF  O05  O1  
 RR  O05  O1

S4-300RF2 (1W)  \_\_\_\_\_ X \_\_\_\_\_  
 \_\_\_\_\_ X \_\_\_\_\_

### DRIVE



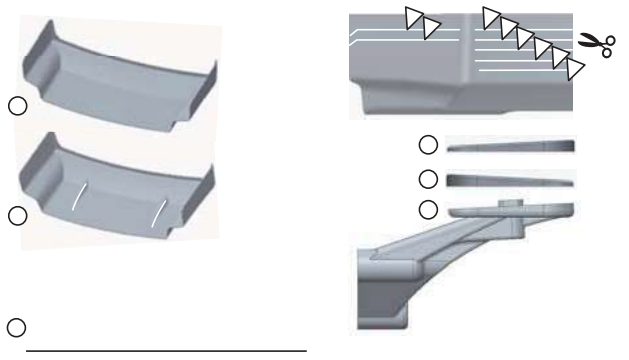
MOTOR  \_\_\_\_\_ Rotor \_\_\_\_\_ mm  
 GEAR  Spur T / Pinion T : 2.5  
 BATTERY  \_\_\_\_\_  
 ESC  \_\_\_\_\_  
 SETTING  \_\_\_\_\_



### TIRE

**FRONT**  
 TIRE  \_\_\_\_\_  
 INSERTS  \_\_\_\_\_  
 WHEELS  \_\_\_\_\_  
**REAR**  
 TIRE  \_\_\_\_\_  
 INSERTS  \_\_\_\_\_  
 WHEELS  \_\_\_\_\_

### OTHER



COMMENT \_\_\_\_\_