

# YZ4 SF2

## SETTING SHEET Ver.01

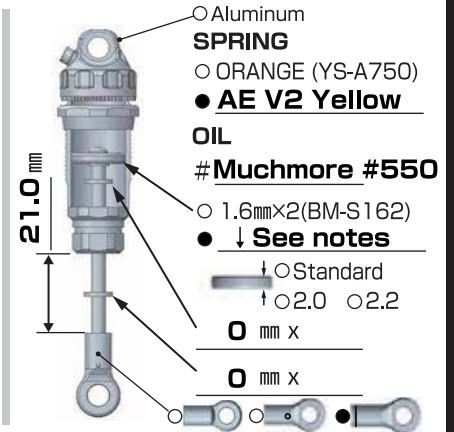
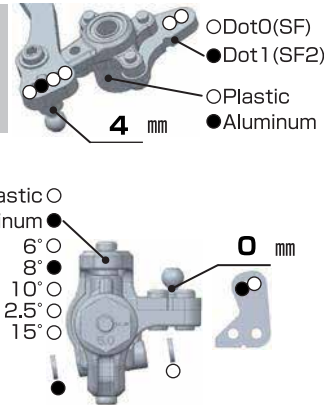
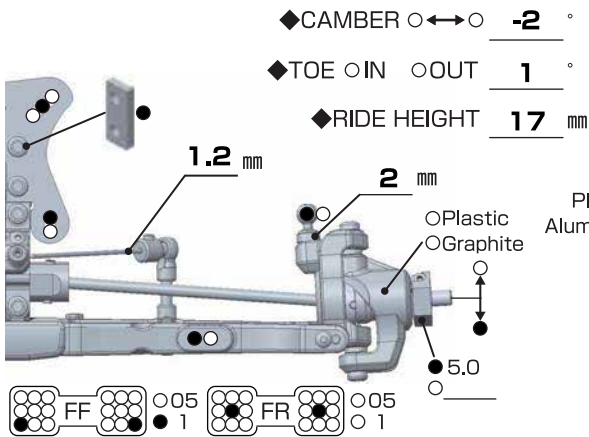
CIRCUIT **OC R/C Raceway -2020 Surf City Classic**

- INDOOR ○ OUTDOOR
- DIRT ○ ASTROTURF ○ CARPET ○ GLASS ○ WOOD
- WET ● DRY ● DUSTY ● SMOOTH ○ BUMPY
- HARD PACKED ○ CLAY ○ BLUE GROOVE ○
- LOW TRACTION ○ MED TRACTION ● HIGH TRACTION

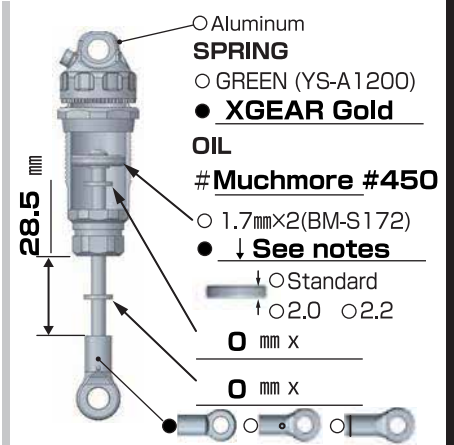
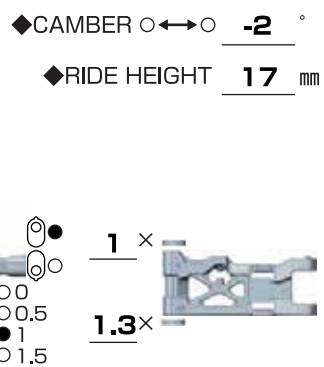
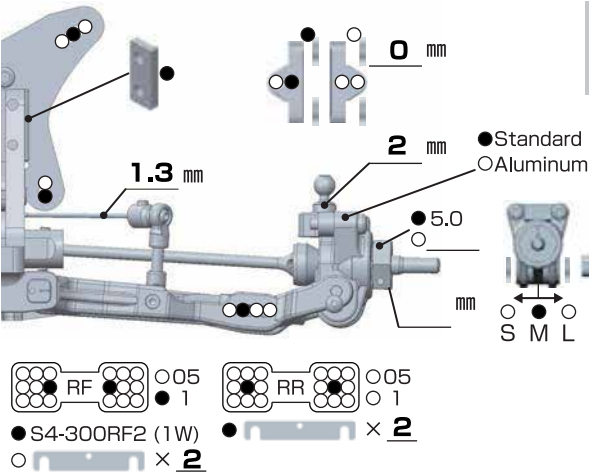
DRIVER **Jake Thayer**

DATE **Sep 2020**

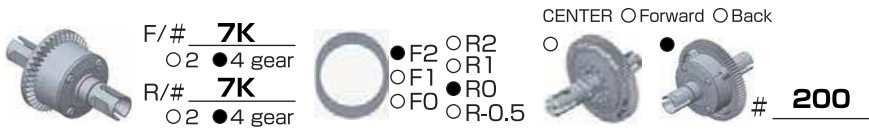
FRONT



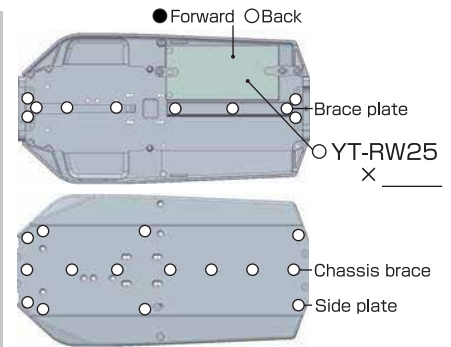
REAR



DRIVE



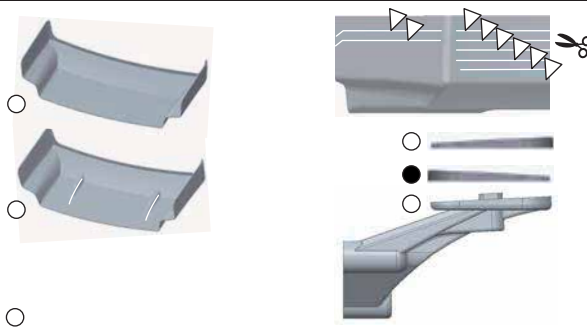
- MOTOR ⇨ **Muchmore** Rotor **12.5** mm
- GEAR ⇨ Spur **81** T / Pinion **24** T : 2.5
- BATTERY ⇨ **Muchmore**
- ESC ○ YOKOMO RPXII ○ YOKOMO BL-PRO4 **Muchmore**  
○ **Muchmore**



TIRE

- |       |   |      |   |
|-------|---|------|---|
| FRONT | TIRE ⇨ <b>J Concepts Ellipse Slicks -Silver</b> | REAR | TIRE ⇨ <b>J Concepts Ellipse Slicks -Silver</b> |
|       | INSERTS ⇨ <b>Dirt Tech - Full, No MOD</b>       |      | INSERTS ⇨ <b>Dirt Tech - Full, No MOD</b>       |
|       | WHEELS ⇨ <b>Mono B64</b>                        |      | WHEELS ⇨ <b>Mono</b>                            |

OTHER



COMMENT

Use :  
**BM-S152 Pistons, Drilled to 2x1.6(Front) 2x1.7(Rear)**  
**Using All Chassis/Side guard screws**  
**Aero S-Type Wing, S1 LW Body(Kit)**  
**Running weight : 1740g**