

YZ-4 SF2

SETTING SHEET Ver.01

CIRCUIT

INDOOR OUTDOOR
 DIRT ASTROTURF CARPET GLASS WOOD
 WET DRY DUSTY SMOOTH BUMPY
 HARD PACKED CLAY BLUE GROOVE _____
 LOW TRACTION MED TRACTION HIGH TRACTION

DRIVER _____

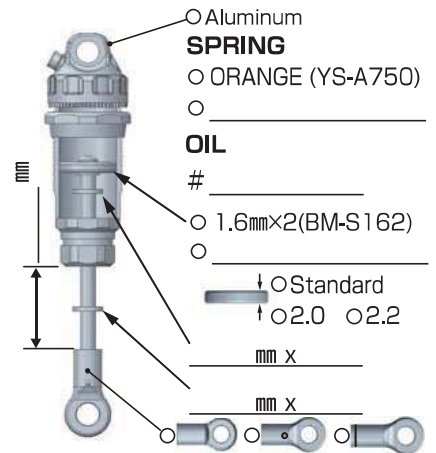
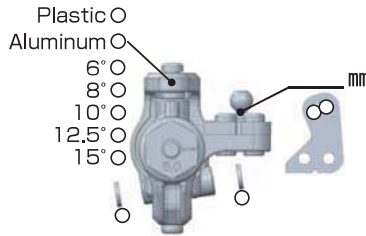
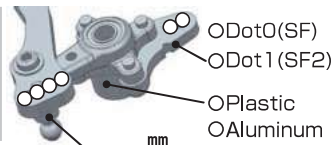
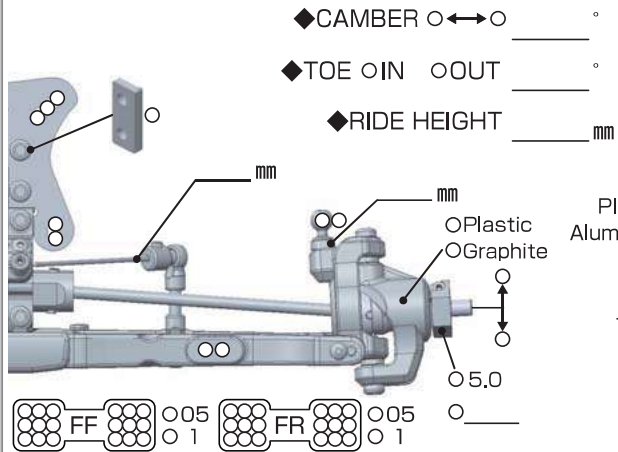
DATE _____

FRONT

◆CAMBER ← → _____ °

◆TOE IN OUT _____ °

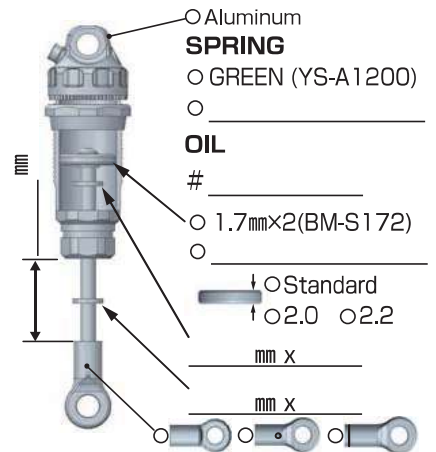
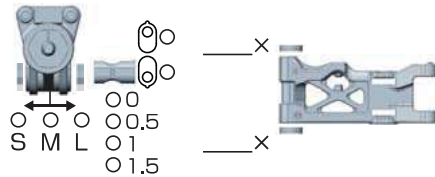
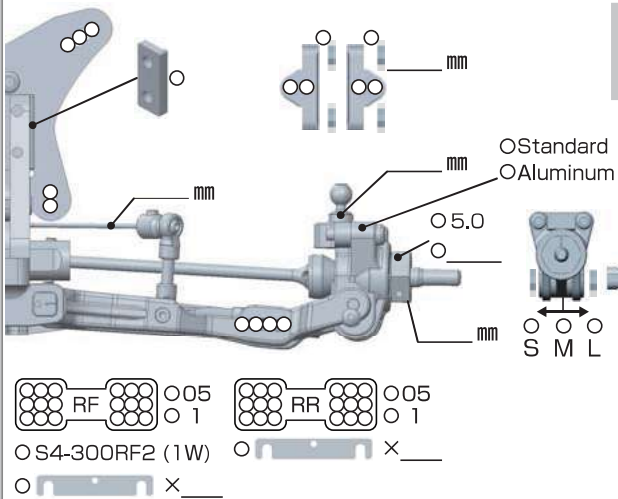
◆RIDE HEIGHT _____ mm



REAR

◆CAMBER ← → _____ °

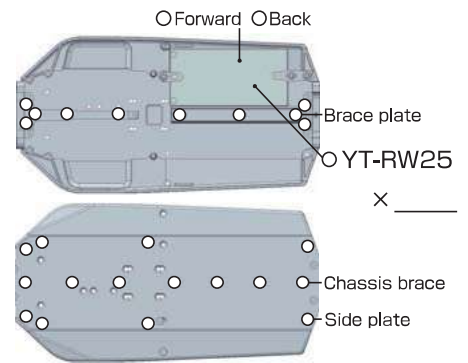
◆RIDE HEIGHT _____ mm



DRIVE



MOTOR _____ Rotor _____ mm
 GEAR Spur T / Pinion T : 2.5
 BATTERY _____
 ESC _____
 SETTING _____

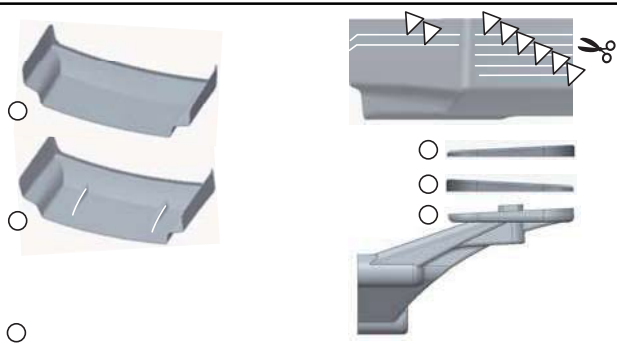


TIRE

FRONT
 TIRE _____
 INSERTS _____
 WHEELS _____

REAR
 TIRE _____
 INSERTS _____
 WHEELS _____

OTHER



COMMENT