

YZ-4

SETTING SHEET Ver.02

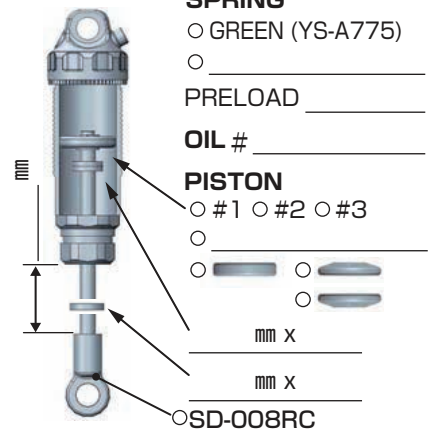
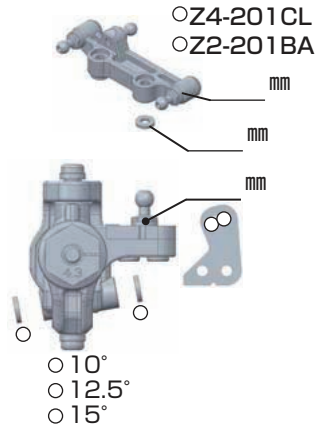
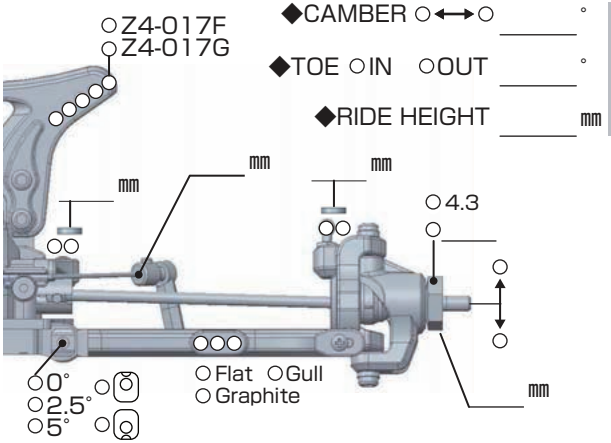
CIRCUIT

- INDOOR OUTDOOR
 DIRT ASTROTURF CARPET GRASS WOOD
 WET DRY DUSTY SMOOTH BUMPY
 HARD PACKED CLAY BLUE GROOVE _____
 LOW TRACTION MED TRACTION HIGH TRACTION

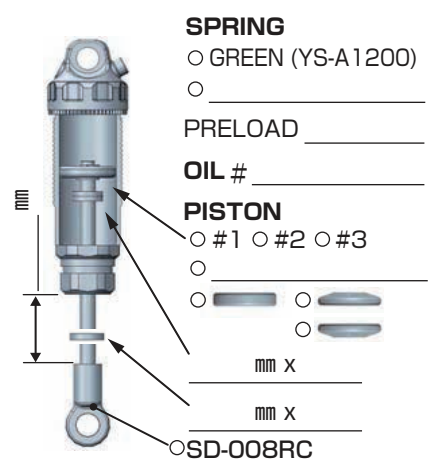
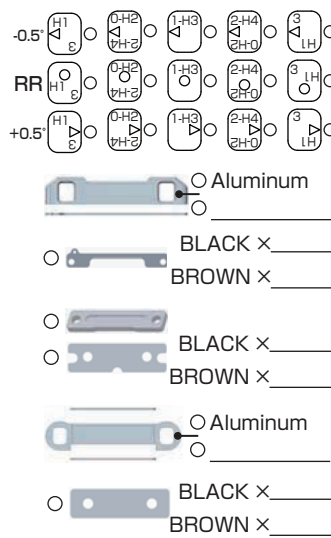
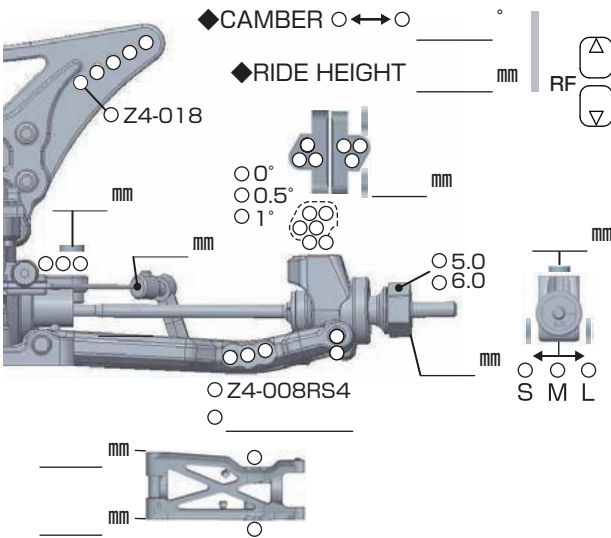
DRIVER _____

DATE _____

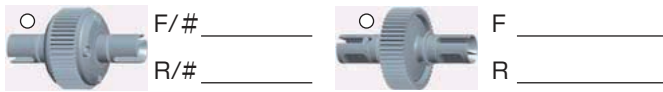
FRONT



REAR

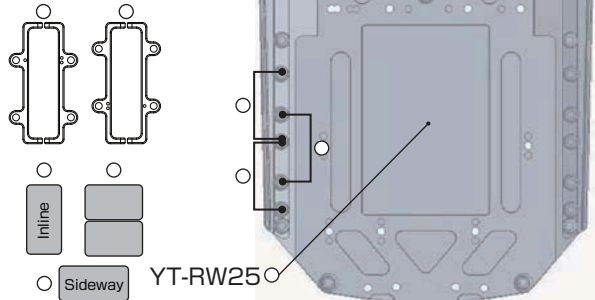


DRIVE



MOTOR \rightarrow _____ Rotor _____ mm
 GEAR \rightarrow Spur T / Pinion T: 2.6
 BATTERY \rightarrow _____
 ESC YOKOMO RPX YOKOMO BL-PRO

Battery placement



TIRE

FRONT
 TIRE \rightarrow _____
 INSERTS \rightarrow _____
 WHEELS \rightarrow _____

REAR
 TIRE \rightarrow _____
 INSERTS \rightarrow _____
 WHEELS \rightarrow _____

OTHER

