

# YZ-4

## SETTING SHEET Ver.01

### CIRCUIT

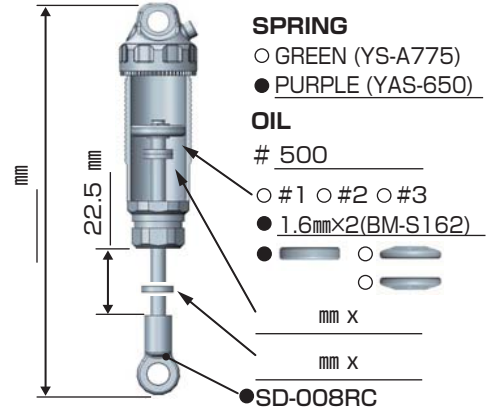
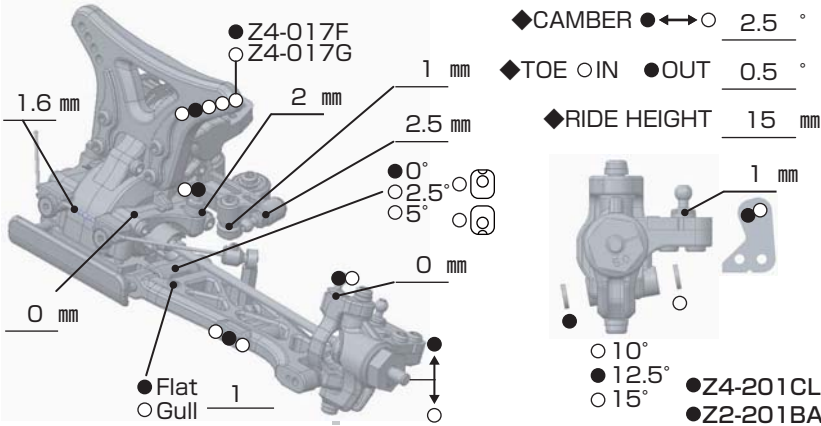
EOS Rd3

- INDOOR ○ OUTDOOR
- WET ○ DRY ○ DUSTY ○ OTHER
- LOW TRACTION ○ MED TRACTION ● HIGH TRACTION
- SMOOTH ○ BUMPY ○ BLUE GROOVE ○ ASTROTURF
- CARPET ○ WOOD ○ CLAY

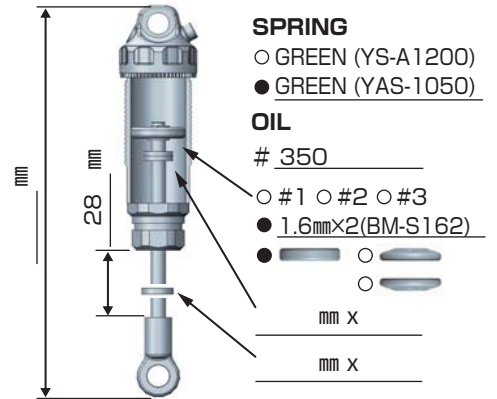
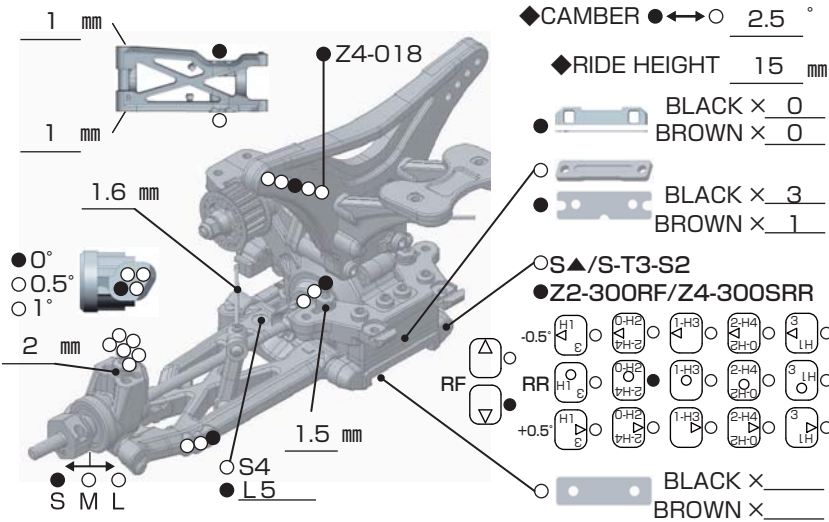
DRIVER Mark Rheinard

DATE 2016/01/31

### FRONT



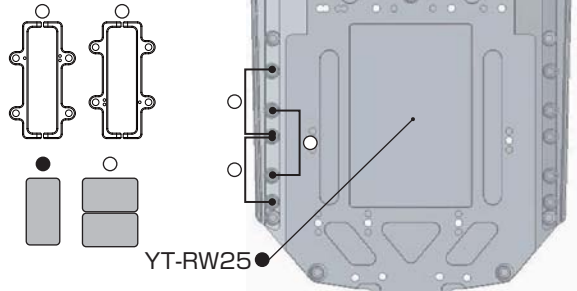
### REAR



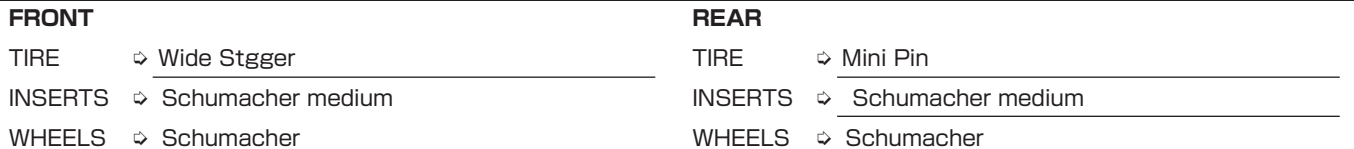
### DRIVE



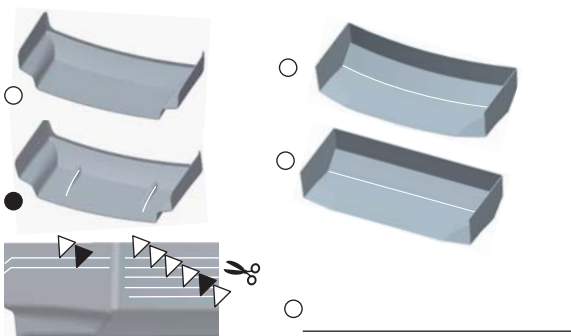
### Battery placement



### TIRE



### OTHER



### COMMENT

- Option parts
- |           |           |           |           |
|-----------|-----------|-----------|-----------|
| Z4-010FL  | Z4-008F1  | Z4-008RL5 | Z4-101LW  |
| Z4-203A   | Z4-TBS    | Z4-TSS    | Z4-412    |
| Z4-413125 | Z2-415ROO | Z4-644H   | Z2-670VP  |
| Z2-300RF  | B4-300B   | Z4-300SRR | Z4-300RFS |
| Z4-300RRS | Z4-304C   | Z4-304LC  | Z4-309C   |
| Z2-S2SD   | Z2-S2LD   | YS-8BH    |           |
- LMR Top deck