

# YZ-F1T

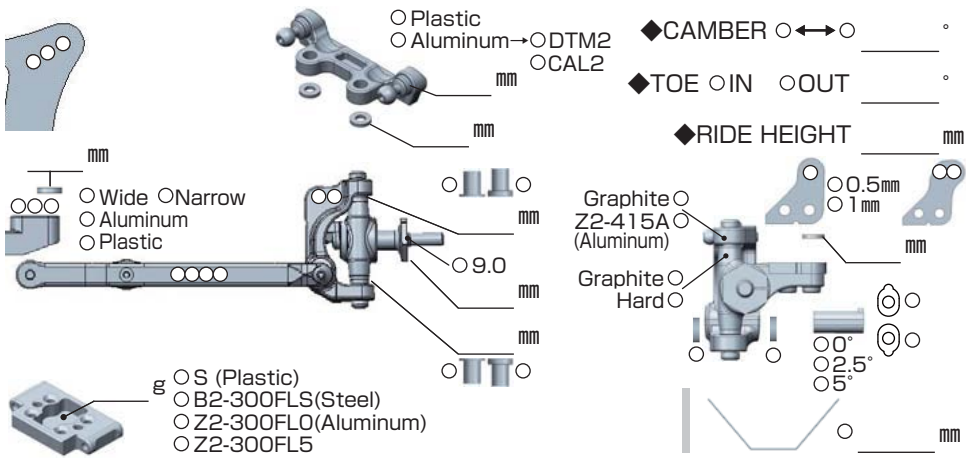
## SETTING SHEET Ver.01

### CIRCUIT

- INDOOR  OUTDOOR
- DIRT  ASTROTURF  CARPET  GLASS  WOOD
- WET  DRY  DUSTY  SMOOTH  BUMPY
- HARD PACKED  CLAY  BLUE GROOVE  \_\_\_\_\_
- LOW TRACTION  MED TRACTION  HIGH TRACTION

**DRIVER** \_\_\_\_\_ **DATE** \_\_\_\_\_

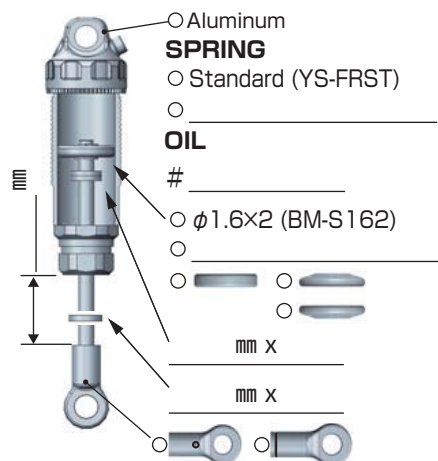
### FRONT



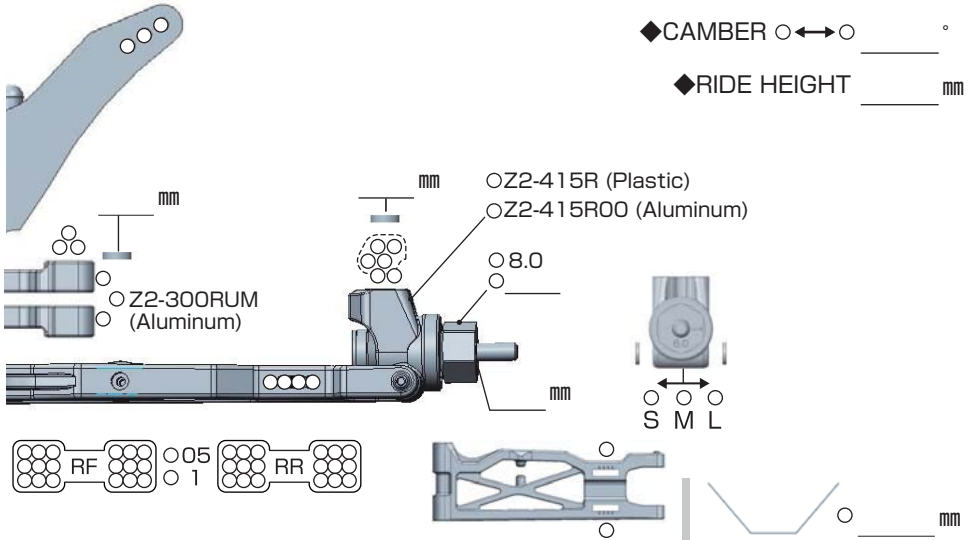
CAMBER  ←  →  \_\_\_\_\_ °

TOE  IN  OUT \_\_\_\_\_ °

RIDE HEIGHT \_\_\_\_\_ mm

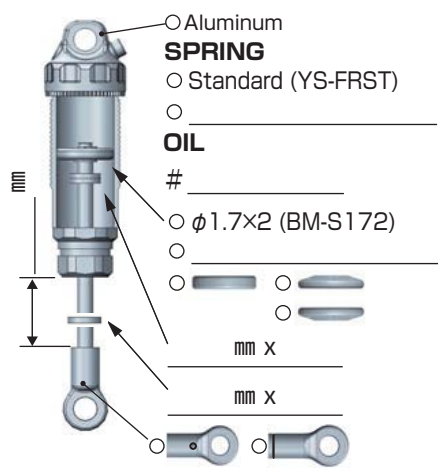


### REAR



CAMBER  ←  →  \_\_\_\_\_ °

RIDE HEIGHT \_\_\_\_\_ mm



### DRIVE

LD  
 \_\_\_\_\_

03  
 02  
 01  
 00

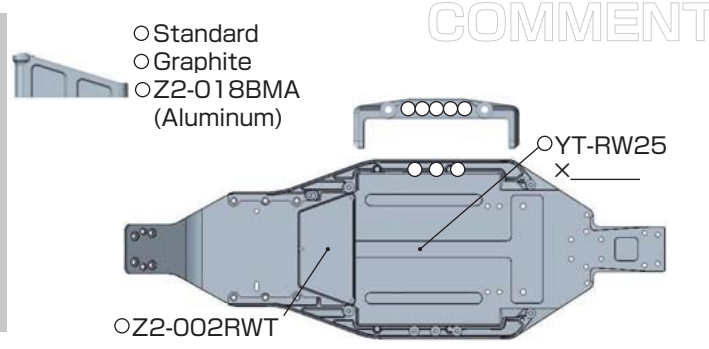
\_\_\_\_\_ # \_\_\_\_\_

MOTOR  \_\_\_\_\_ Rotor \_\_\_\_\_ mm

GEAR  Spur T / Pinion T : 2.6

BATTERY  \_\_\_\_\_

ESC  YOKOMO BL-PRO4  
 \_\_\_\_\_



### COMMENT

### TIRE

<b>FRONT</b>	<b>REAR</b>
TIRE <input type="checkbox"/> _____	TIRE <input type="checkbox"/> _____
INSERTS <input type="checkbox"/> _____	INSERTS <input type="checkbox"/> _____
WHEELS <input type="checkbox"/> _____	WHEELS <input type="checkbox"/> _____

### OTHER

F2 Body (Standard)  
 \_\_\_\_\_

# COMMENT