

YZ-F1T

SETTING SHEET Ver.01

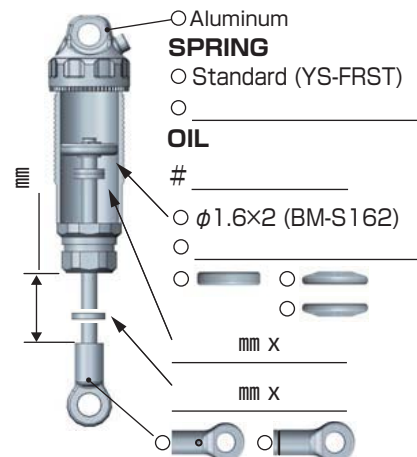
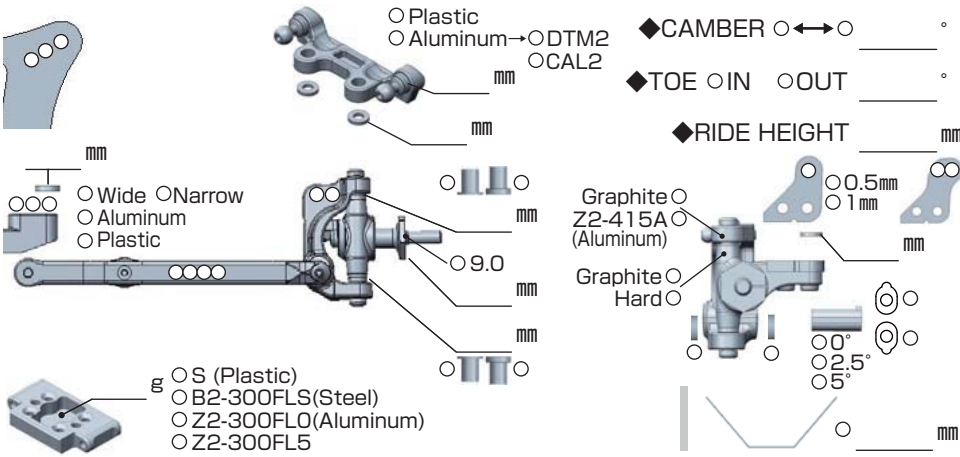
CIRCUIT

- INDOOR OUTDOOR
 DIRT ASTROTURF CARPET GLASS WOOD
 WET DRY DUSTY SMOOTH BUMPY
 HARD PACKED CLAY BLUE GROOVE _____
 LOW TRACTION MED TRACTION HIGH TRACTION

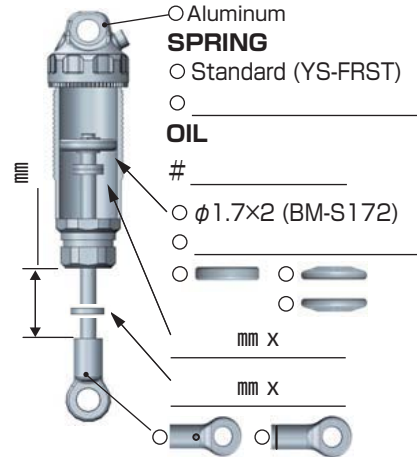
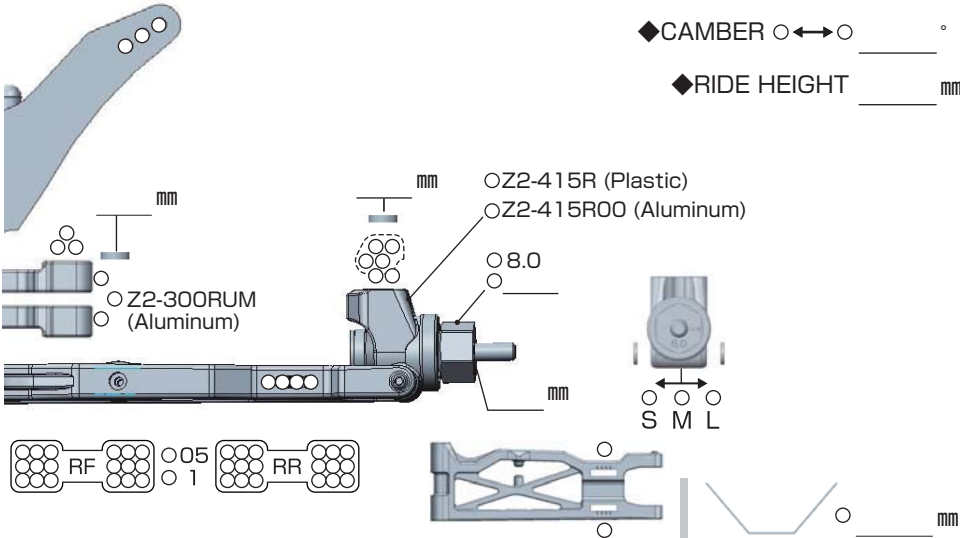
DRIVER _____

DATE _____

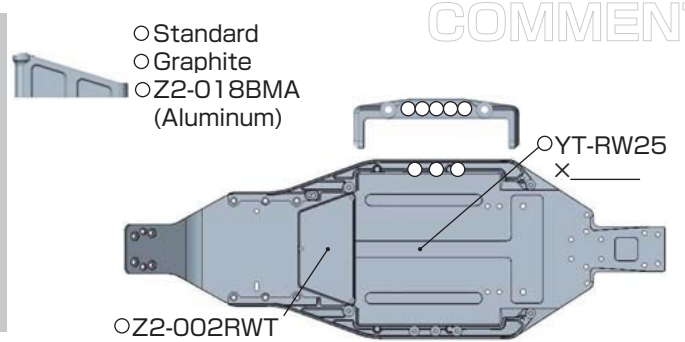
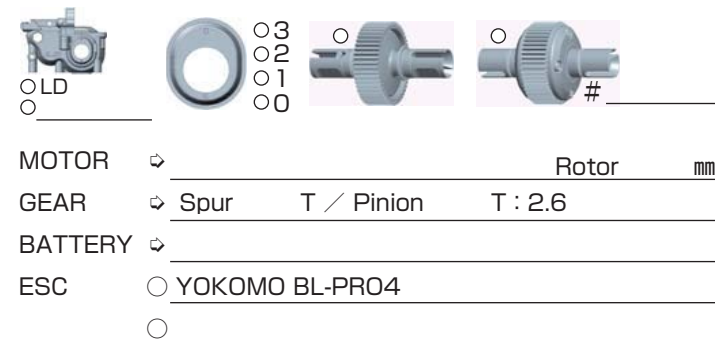
FRONT



REAR



DRIVE



COMMENT

TIRE

FRONT
 TIRE ⇨ _____
 INSERTS ⇨ _____
 WHEELS ⇨ _____

REAR
 TIRE ⇨ _____
 INSERTS ⇨ _____
 WHEELS ⇨ _____

OTHER

- F2 Body (Standard)

COMMENT