



P040v2  
Arn0

### CIRCUIT

- INDOOR  OUTDOOR
- WET  DRY  DUSTY  SMOOTH  BUMPY  OTHER
- LOW TRACTION  MED TRACTION  HIGH TRACTION
- CLAY  GRASS  BLUE GROOVE  ASTROTURF  DIRT  CARPET  WOOD

## SETTING SHEET

DRIVER

DATE

### FRONT

◆ CAMBER    °

◆ TOE  IN  OUT  °

○ Z2-300FU

○ Z2-300FL0

○ Z2-300FL5

○ B2-300FL(Steel)

○ 0°

○ 2.5°

○ 5°

SPRING

YELLOW (YS-A875)

OIL

# \_\_\_\_\_

#1  #2  #3

mm x \_\_\_\_\_

### REAR

RF

RR

◆ CAMBER    °

○ 0°

○ 0.5°

○ 1°

S M L

SPRING

GREEN (YS-A1200)

OIL

# \_\_\_\_\_

#1  #2  #3

mm x \_\_\_\_\_

### DRIVE



MOTOR ◆ \_\_\_\_\_  Bonded  Sintered \_\_\_\_\_ mm

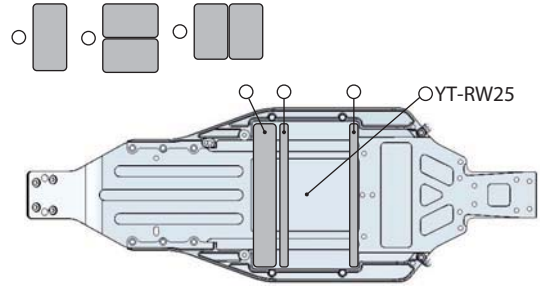
GEAR ◆ Spur T / Pinion T: 2.6 \_\_\_\_\_

BATTERY ◆ \_\_\_\_\_

ESC  Racing Performer X Series \_\_\_\_\_

\_\_\_\_\_

#### Battery placement



### TIRE

FRONT

TIRE ◆ \_\_\_\_\_

INSERTS ◆ \_\_\_\_\_

WHEELS ◆ \_\_\_\_\_

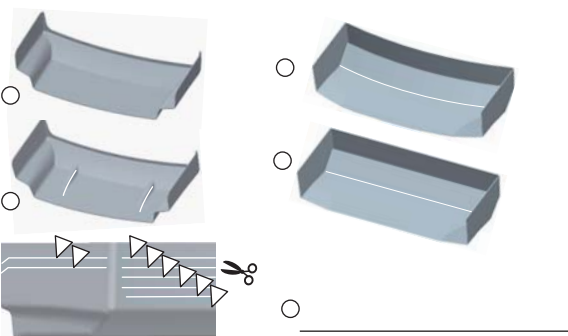
REAR

TIRE ◆ \_\_\_\_\_

INSERTS ◆ \_\_\_\_\_

WHEELS ◆ \_\_\_\_\_

### OTHER



### COMMENT