

MR-4 BX

SETTING SHEET Ver.1

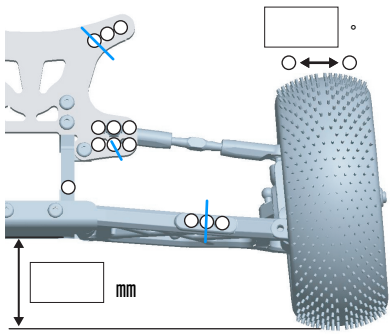
CIRCUIT

- INDOOR OUTDOOR
- WET DRY DUSTY OTHER
- LOW TRACTION MED TRACTION HIGH TRACTION
- SMOOTH BUMPY SANDY GRASS BLUE GROOVE

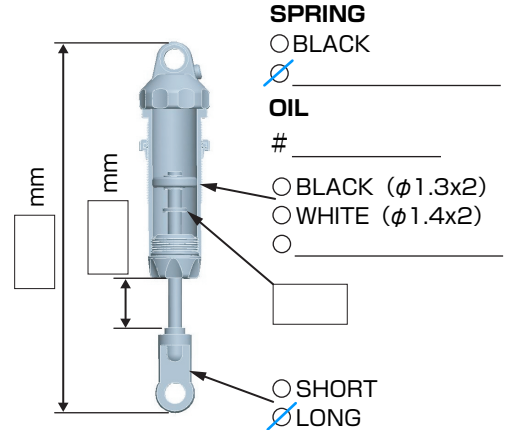
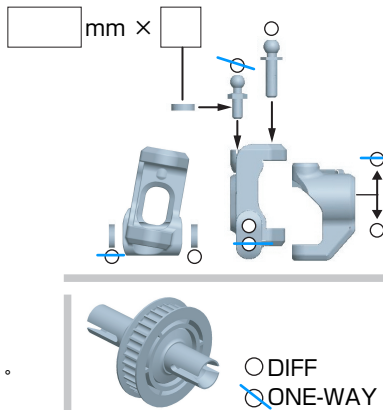
DRIVER _____

DATE / /

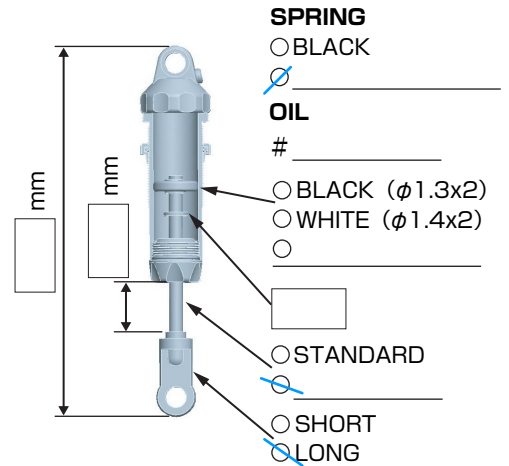
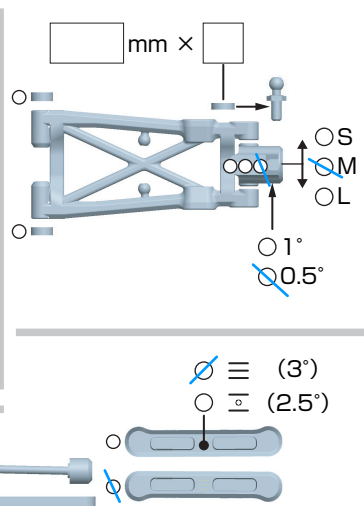
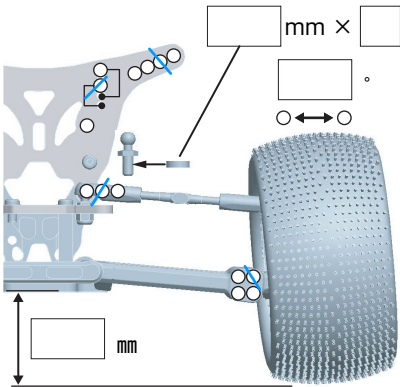
FRONT



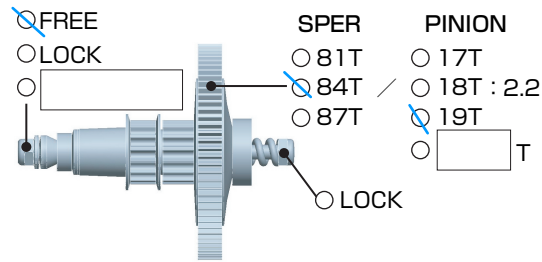
◆ TOE-IN (+) / OUT(-) °



REAR



DRIVE



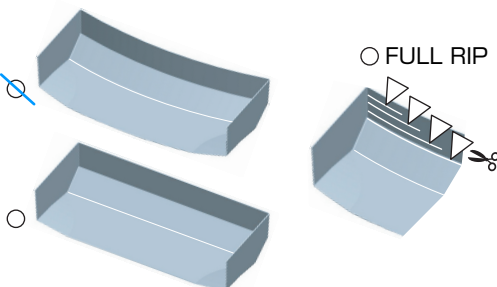
- MOTOR ⇨ _____
- BRUSHES ⇨ _____
- BATTERY ⇨ _____
- ESC GM SX12W VFS-1 Comp

TIRE

- FRONT**
- TIRE ⇨ _____
- INSERTS ⇨ _____
- WHEELS ⇨ _____

- REAR**
- TIRE ⇨ _____
- INSERTS ⇨ _____
- WHEELS ⇨ _____

OTHER



COMMENT