

MO 2.0

SETTING SHEET Ver.01

CIRCUIT

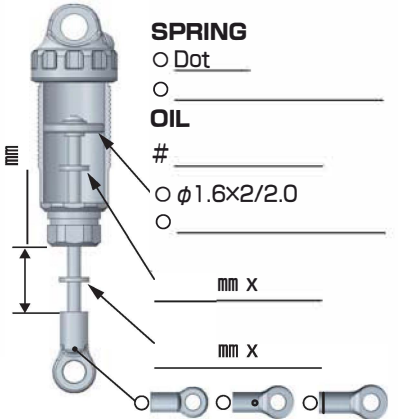
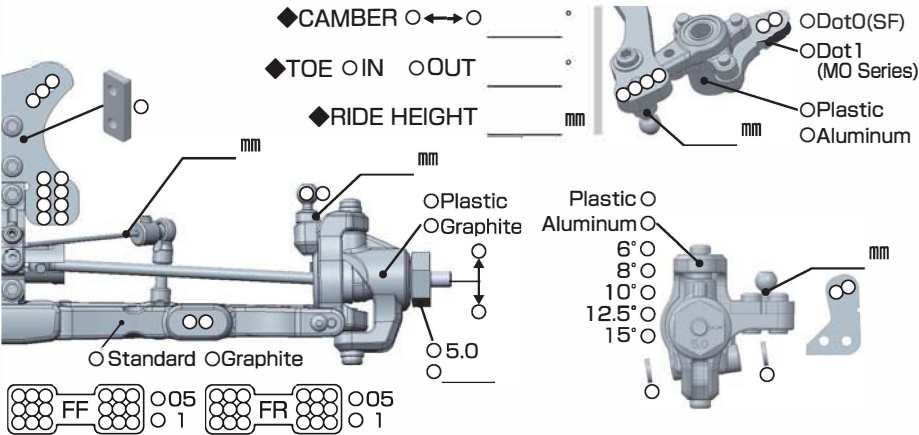
INDOOR OUTDOOR
 DIRT ASTROTURF CARPET GLASS WOOD
 WET DRY DUSTY SMOOTH BUMPY
 HARD PACKED CLAY BLUE GROOVE _____
 LOW TRACTION MED TRACTION HIGH TRACTION

DRIVER

DATE

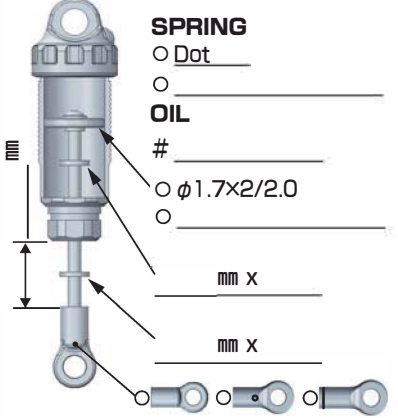
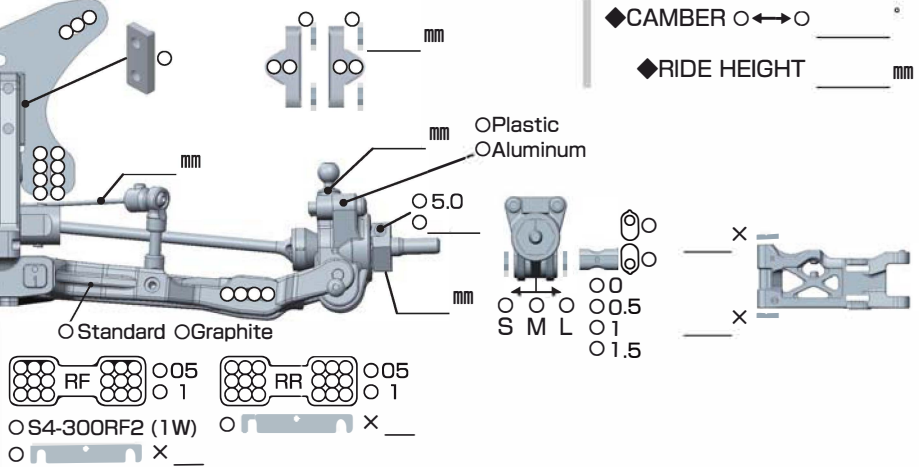
FRONT

◆CAMBER ← → _____ °
 ◆TOE IN OUT _____ °
 ◆RIDE HEIGHT _____ mm

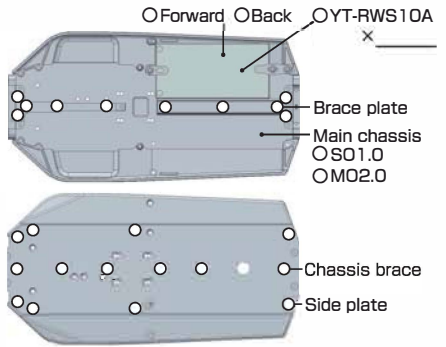
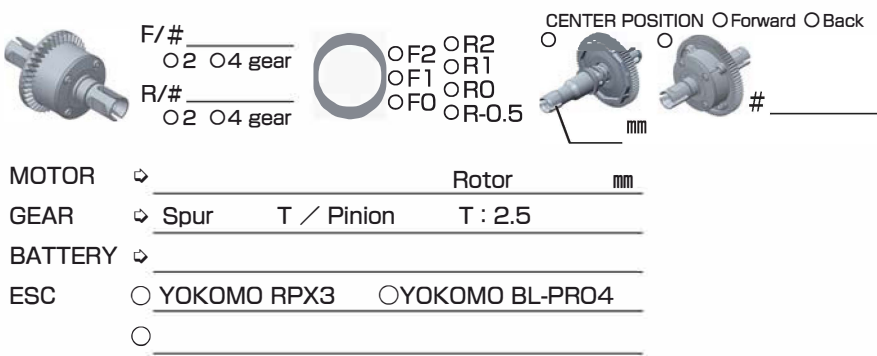


REAR

◆CAMBER ← → _____ °
 ◆RIDE HEIGHT _____ mm



DRIVE

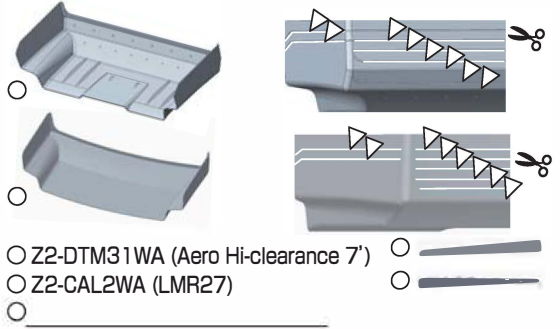


TIRE

FRONT
 TIRE _____
 INSERTS _____
 WHEELS _____

REAR
 TIRE _____
 INSERTS _____
 WHEELS _____

OTHER



COMMENT
