

# MO 1.0

## SETTING SHEET Ver.01

### CIRCUIT

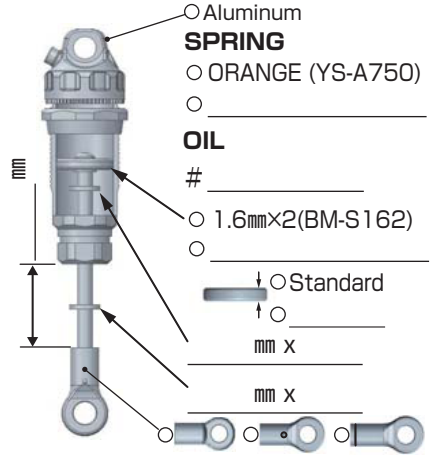
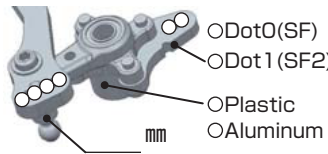
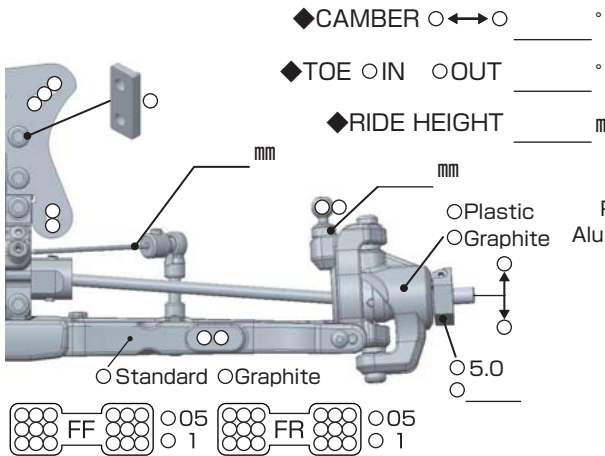
- INDOOR  OUTDOOR  
 DIRT  ASTROTURF  CARPET  GLASS  WOOD  
 WET  DRY  DUSTY  SMOOTH  BUMPY  
 HARD PACKED  CLAY  BIUE GROOVE  \_\_\_\_\_  
 LOW TRACTION  MED TRACTION  HIGH TRACTION

DRIVER \_\_\_\_\_

DATE \_\_\_\_\_

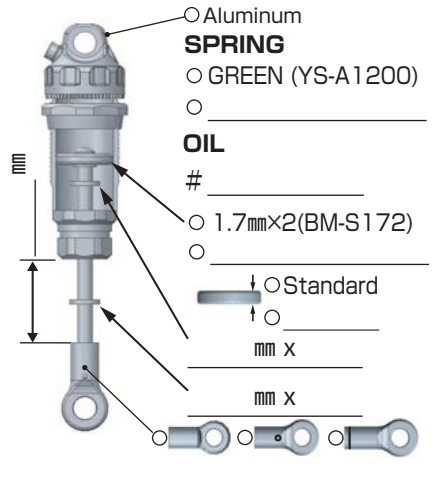
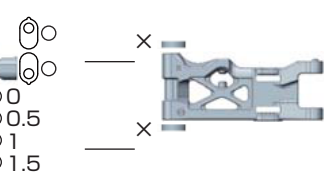
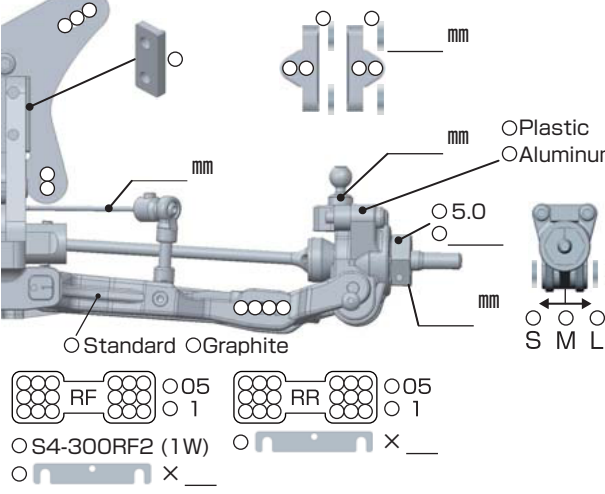
### FRONT

- ◆CAMBER  ←  → \_\_\_\_\_ °  
 ◆TOE  IN  OUT \_\_\_\_\_ °  
 ◆RIDE HEIGHT \_\_\_\_\_ mm



### REAR

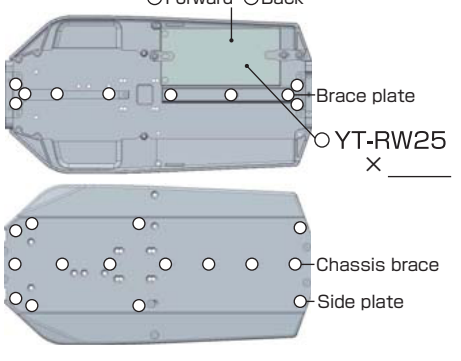
- ◆CAMBER  ←  → \_\_\_\_\_ °  
 ◆RIDE HEIGHT \_\_\_\_\_ mm



### DRIVE



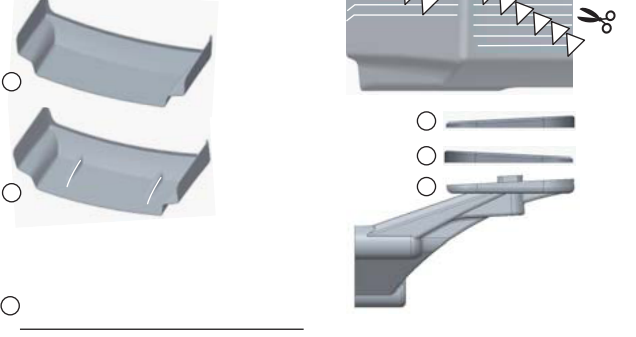
MOTOR ⇨ \_\_\_\_\_ Rotor \_\_\_\_\_ mm  
 GEAR ⇨ Spur T / Pinion T : 2.5  
 BATTERY ⇨ \_\_\_\_\_  
 ESC ⇨ \_\_\_\_\_  
 SETTING ⇨ \_\_\_\_\_



### TIRE

**FRONT**  
 TIRE ⇨ \_\_\_\_\_  
 INSERTS ⇨ \_\_\_\_\_  
 WHEELS ⇨ \_\_\_\_\_  
**REAR**  
 TIRE ⇨ \_\_\_\_\_  
 INSERTS ⇨ \_\_\_\_\_  
 WHEELS ⇨ \_\_\_\_\_

### OTHER



COMMENT