

B-MAX4 III

SETTING SHEET

Ver.01

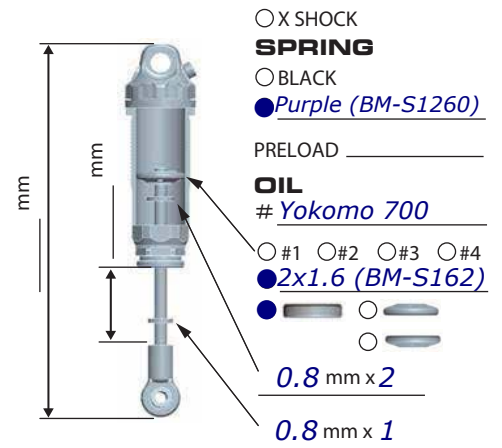
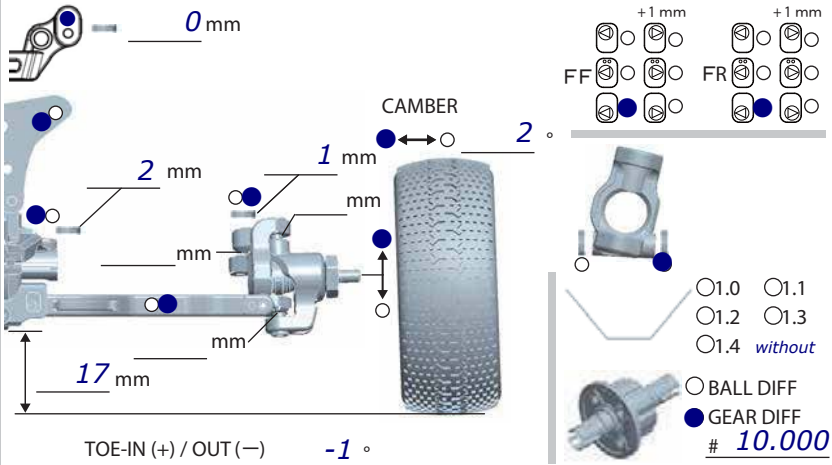
CIRCUIT *EOS Rd4 Wels*

- INDOOR OUTDOOR
- WET DRY DUSTY SMOOTH BUMPY OTHER
- LOW TRACTION MED TRACTION HIGH TRACTION
- CLAY GRASS BLUE GROOVE ASTROTURF DIRT CARPET WOOD

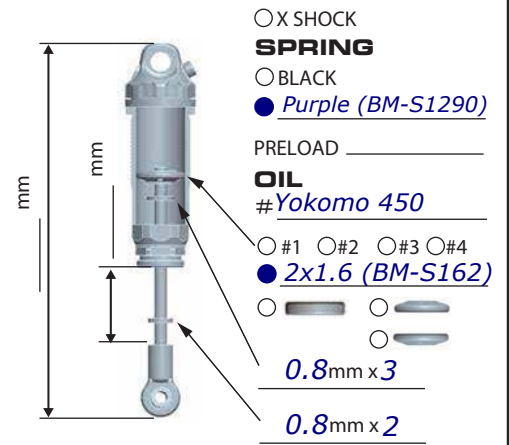
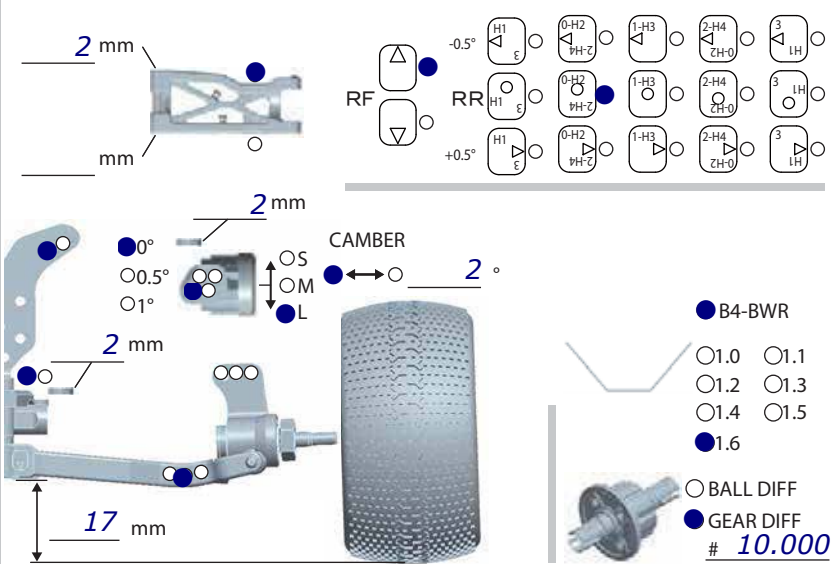
DRIVER *Ronald Volker*

DATE *27.04.2014*

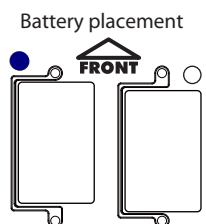
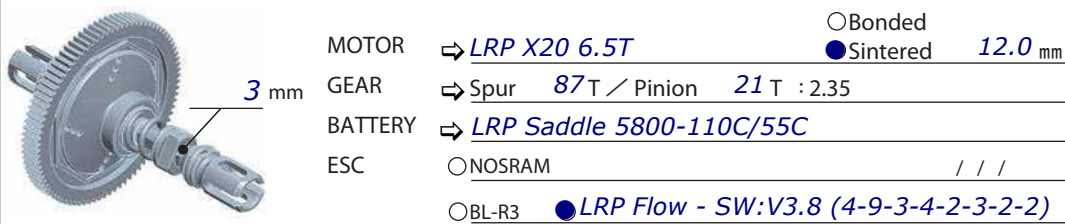
FRONT



REAR



DRIVE



TIRE

FRONT

TIRE \Rightarrow *Pro-line Pin Point*

INSERTS \Rightarrow *Por-line*

WHEELS \Rightarrow *Yokomo (B4-821)*

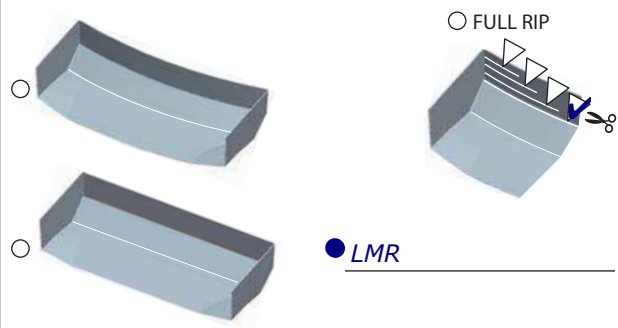
REAR

TIRE \Rightarrow *Pro-line Pin Point*

INSERTS \Rightarrow *Pro-line*

WHEELS \Rightarrow *Yokomo (B4-827)*

OTHER



COMMENT *Editable by Arn0 at PetitRC.com*