

# B-MAX4 II

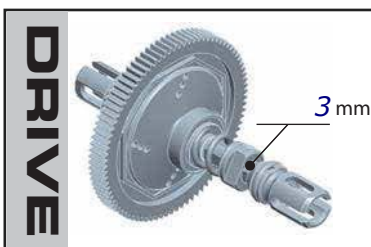
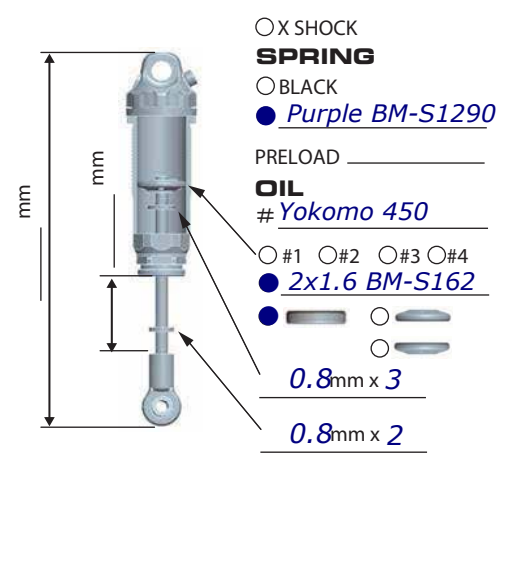
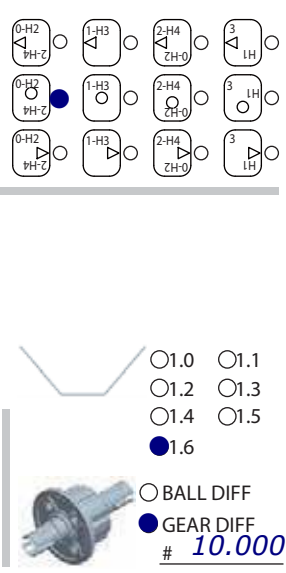
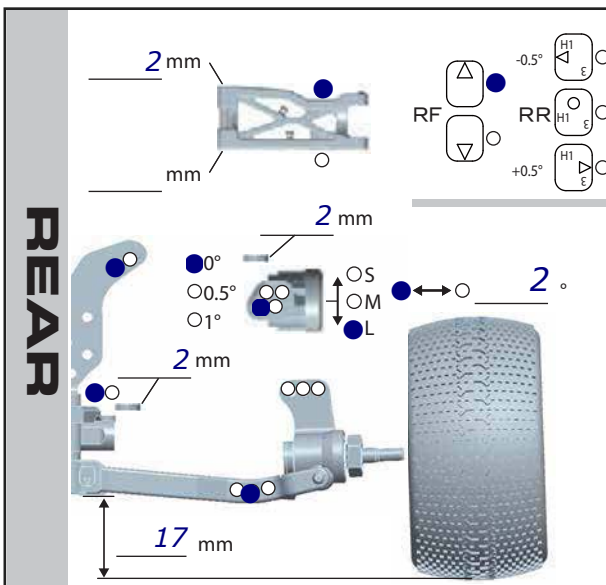
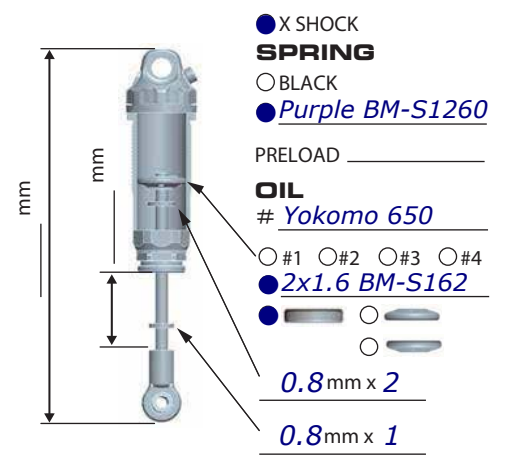
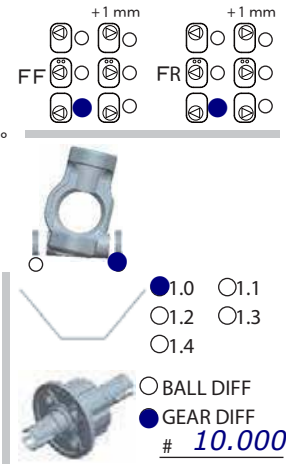
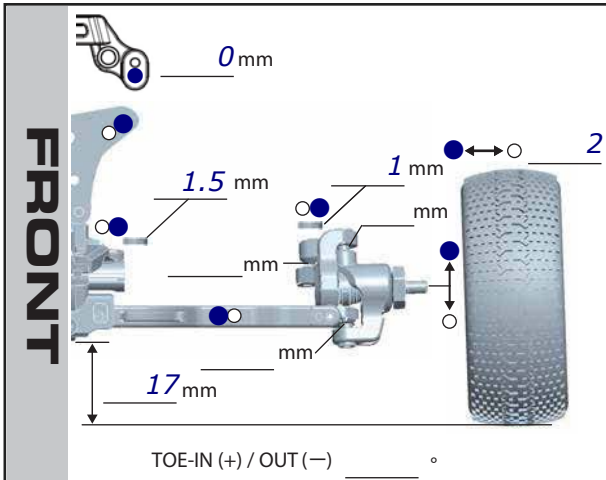
Arn0  
SETTING SHEET Ver.01

DRIVER *Ronald Volker*

DATE *22.03.2014*

CIRCUIT *Final MIBOSPORT Cup Rd6*

- INDOOR  OUTDOOR *Hrotovice*
- WET  DRY  DUSTY  SMOOTH  BUMPY  OTHER
- LOW TRACTION  MED TRACTION  HIGH TRACTION
- CLAY  GRASS  BLUE GROOVE  ASTROTURF  DIRT  CARPET  WOOD



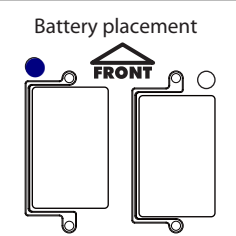
MOTOR ⇨ *LRP X20 6.5T*  Bonded  Sintered *12.0 mm*

GEAR ⇨ Spur *87T* / Pinion *21T* : 2.35

BATTERY ⇨ *LRP Saddle 5800-110C/55C*

ESC  NOSRAM *///*

BL-R3  *LRP Flow WorksTeam*



**FRONT**

TIRE ⇨ *Schumacher Mini Pin Yellow*

INSERTS ⇨ *Schumacher Medium (U6733)*

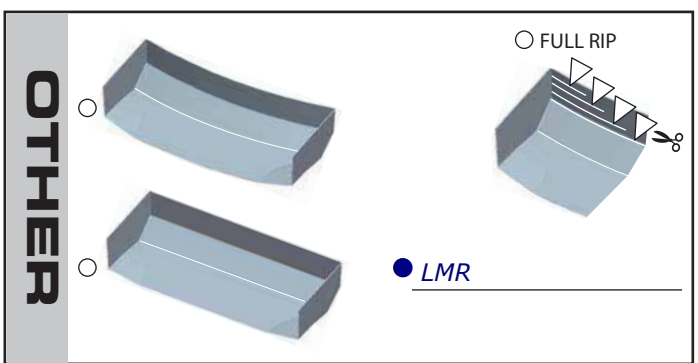
WHEELS ⇨ \_\_\_\_\_

**REAR**

TIRE ⇨ *Schumacher Mini Pin Yellow*

INSERTS ⇨ *Schumacher Medium (U6734)*

WHEELS ⇨ \_\_\_\_\_



COMMENT \_\_\_\_\_

*Editable by Arn0 at PetitRC.com*