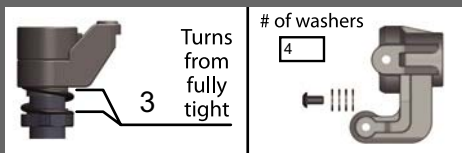
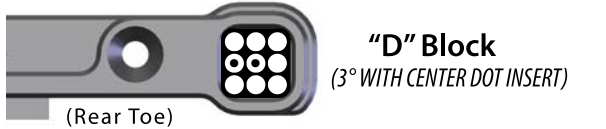
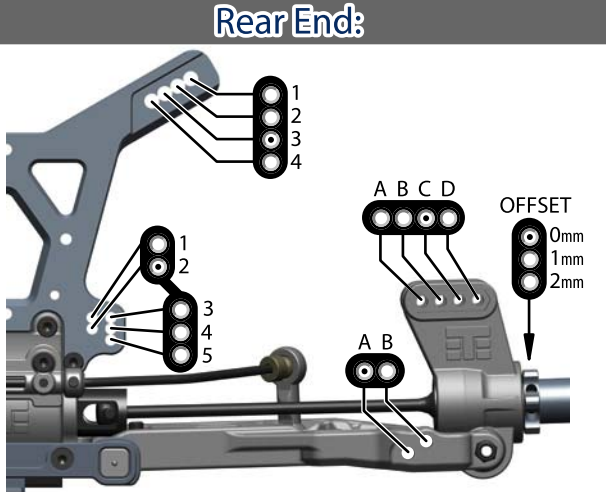
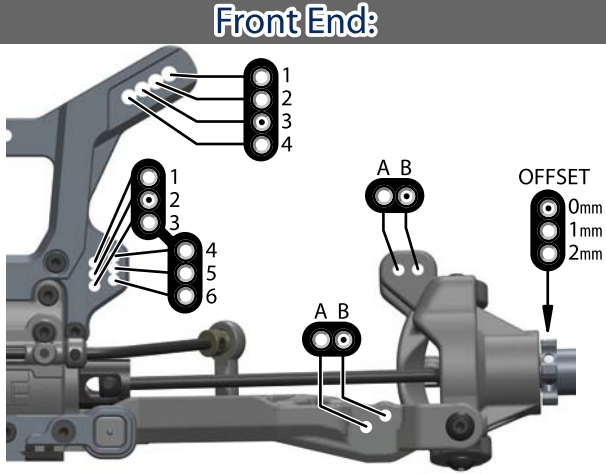
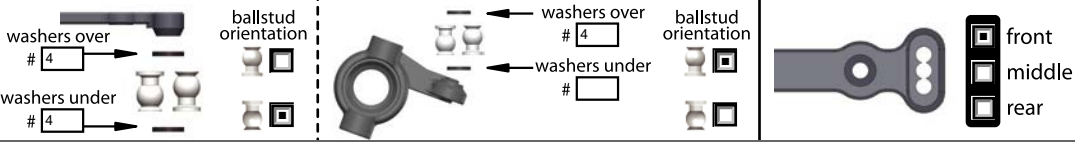


Name: _____ Date: _____ Event: Swords

Track: Indoor Outdoor Size: Small Medium Large Traction: Low Med High

Surface: Smooth Bumpy Rutted Type: Loose/Loamy Hard Pack Blue Groove Clay

Bumpsteer/Ackerman/Servo Saver/Steering Stop: _____ Condition: Dusty Dry Wet Muddy

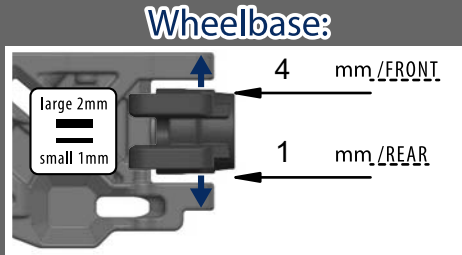
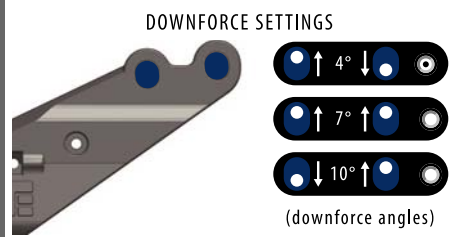
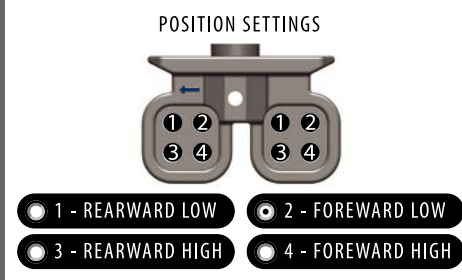


Suspension:

	FRONT	REAR
RIDE HEIGHT	27	29
CAMBER	2	2.5
CASTER	15	
SWEEP	0	
KICK UP	8.5	
ANTI-SQUAT		2
TOE (in/out)	.5 deg in	2.5
SWAY BAR	2.5	2.4
SHOCK LENGTH (DROOP)	120	135

Body/Wing:

BODY MAKE	LFR assassin
WING MAKE	jconcepts



Shocks:

	FRONT	REAR
OIL	400	400
BRAND	ultimate	ultimate
PISTON	4x1.8	4x1.8
SPRING	pink	red
REBOUND	10 %	10 %
STD/EMUL/VENT		

NOTES:

Tires/Wheels:

	FRONT	REAR
BRAND/TREAD	schum	schum
COMPOUND	yellow	yellow
INSERT	sch med	sch med
WHEEL	schum	shum

NOTES: trimed f/r

Differential Oil:

	FRONT	CENTER	REAR
	7000	5000	5000

Electronics:

ESC:	Lrp ix8
BATTERY:	thunder power
MOTOR:	trackstar 1900kv
RADIO:	sanwa
SERVO:	Mks

Drivetrain:

PINION SIZE	18	(teeth)
-------------	----	---------

Chassis Braces:

Front	<input checked="" type="checkbox"/>	Middle	<input type="checkbox"/>	Rear	<input type="checkbox"/>
-------	-------------------------------------	--------	--------------------------	------	--------------------------

(front brace is always recommended)

Notes:
