

T4



www.teamcracing.net

SETUP SHEET for the TeamC T4

Driver _____

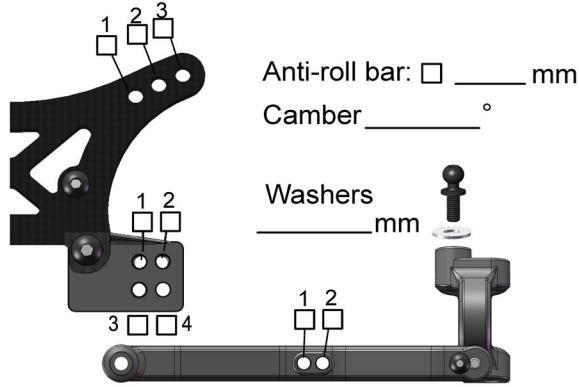
Track / City _____

Event _____ Date ____ / ____ / ____

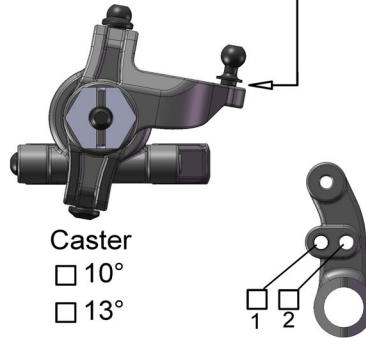
Conditions

- Smooth Bumpy Low traction Med traction High traction
 Sandy Soft dirt Grass Hard soil Clay Wet Dry Dusty _____

Front Suspension Shock Mounting&Camber link

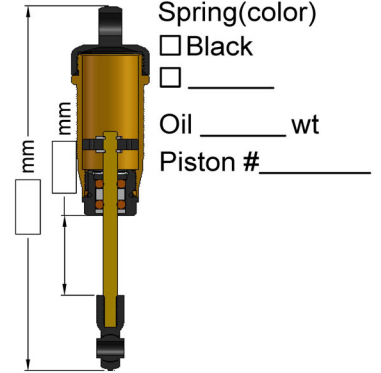


Toe-in (+)/Out (-) _____ °
 Bump Steep Spacer _____

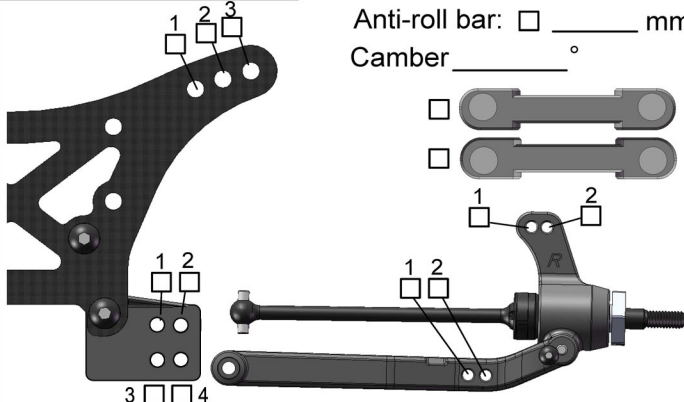


Diff _____ Ride height _____

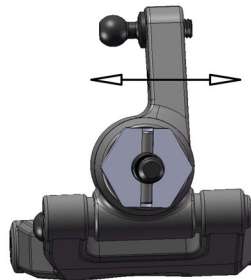
Front Shocks



Rear Suspension Shock Mounting&Camber link

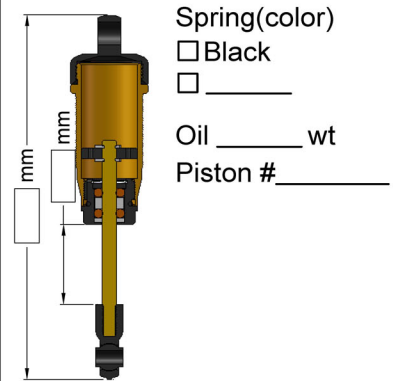


Wheelbase
 Long
 Medium
 Short



Diff _____ Ride height _____

Rear Shocks



Front Tires&Wheels

Front Tires _____
 Inserts _____ Wheels _____

Rear Tires&Wheels

Rear Tires _____
 Inserts _____ Wheels _____

Batteries

Servo _____
 Esc _____
 Batteries _____

Motor

Motor _____
 Pinion/Spur _____ / _____

Other

Wing _____
 Wing Angle 4° 10°

Comments

Notes _____
