

TRF 511

TAMIYA RACING FACTORY

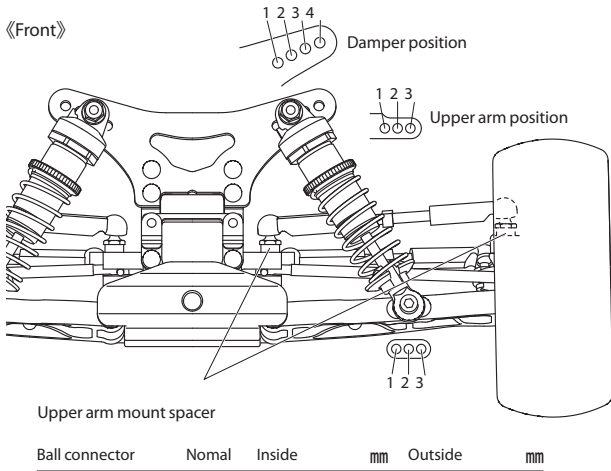
SETTING SHEET

Ver 1.00

Date _____

Driver _____

Track _____ Track condition _____



Ground clearance _____ mm

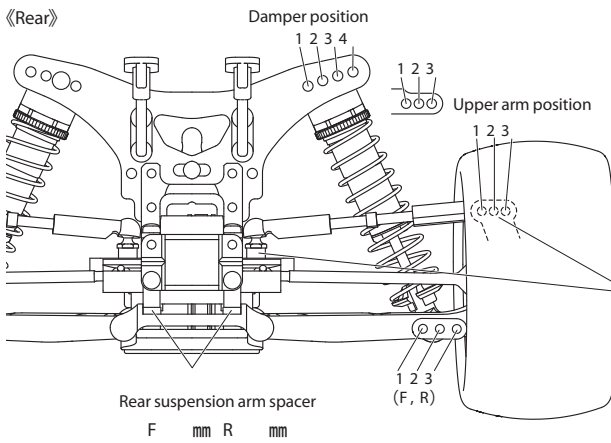
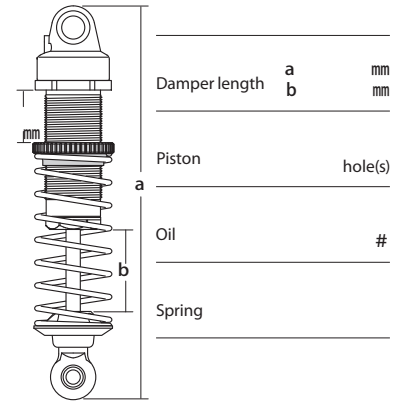
Camber angle _____ °

Toe angle _____ °

Front drive _____ Diff One-way

Pulley _____ T

Stabilizer _____



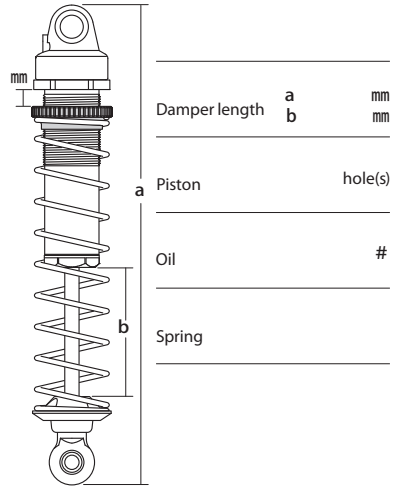
Ground clearance _____ mm

Camber angle _____ °

Stabilizer _____

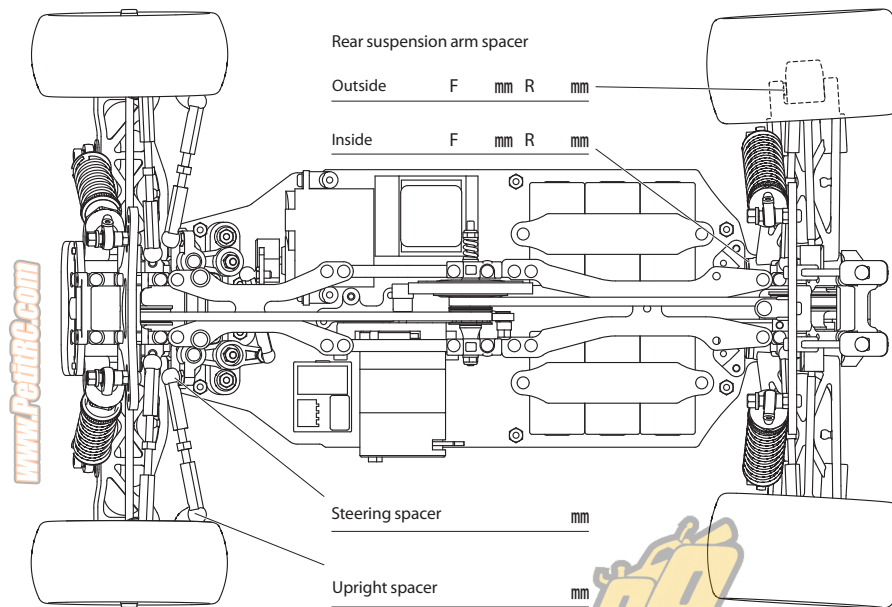
Upper arm mount spacer

Ball connector	Nomal		
Inside	mm	Outside	mm



«Front Tire» Type _____ Compound _____ Tire insert _____ Wheel _____ Air holes _____

«Rear Tire» Type _____ Compound _____ Tire insert _____ Wheel _____ Air holes _____



Motor _____

Spur gear _____ Pinion gear _____ T

Slipper clutch _____

Center one-way _____

Battery _____

Body _____

Wing _____

Wing-Lip _____

Comments _____