

### Diff. Oil

Front: \_\_\_\_\_  
 Center: \_\_\_\_\_  
 Rear: \_\_\_\_\_

### Track Conditions

Size:  Open  Med.  Tight  
 Traction:  High  Med.  Low  
 Surface:  Smooth  Med.  Bumpy

### Tire

Front Type: \_\_\_\_\_ Rear Type: \_\_\_\_\_  
 Foam: \_\_\_\_\_ Foam: \_\_\_\_\_

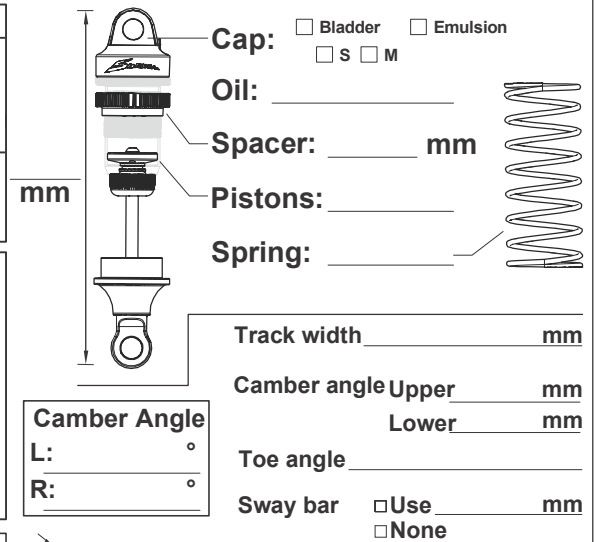
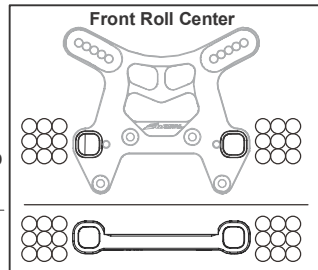
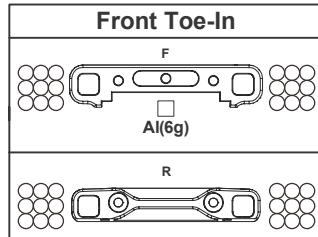
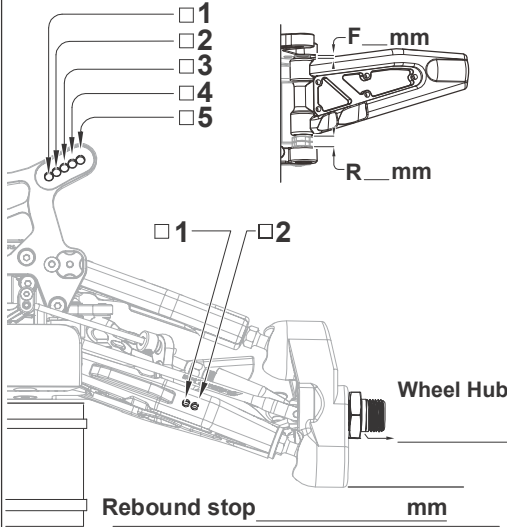
### Engine

Type: \_\_\_\_\_ Muffler: \_\_\_\_\_  
 Gasket: \_\_\_\_\_ mm Fuel: \_\_\_\_\_  
 Plug: \_\_\_\_\_

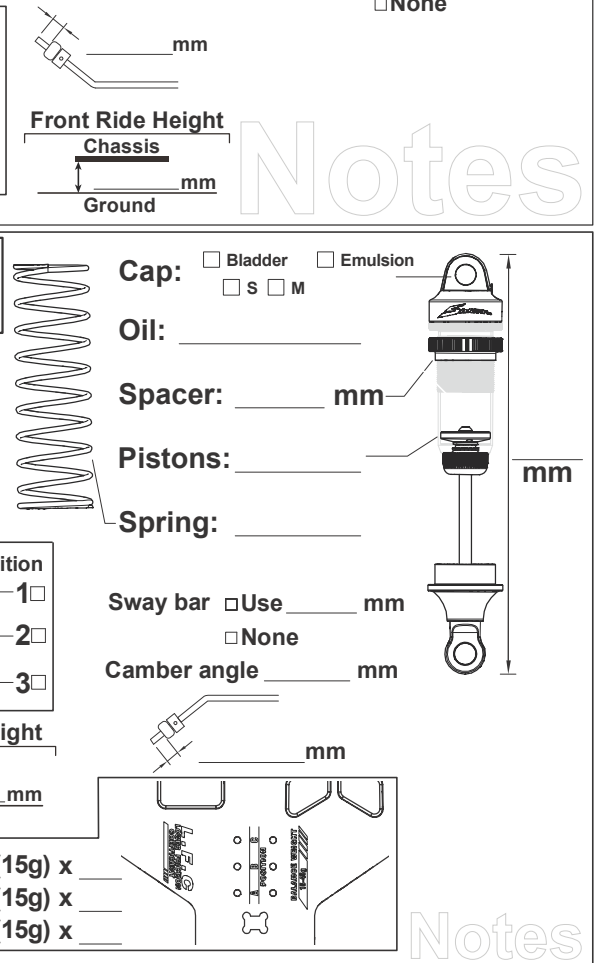
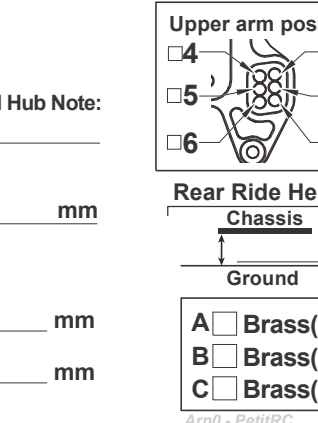
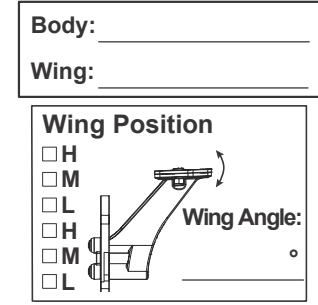
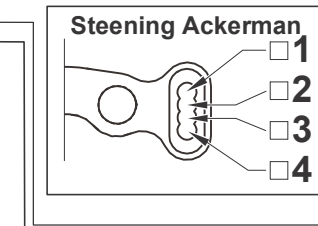
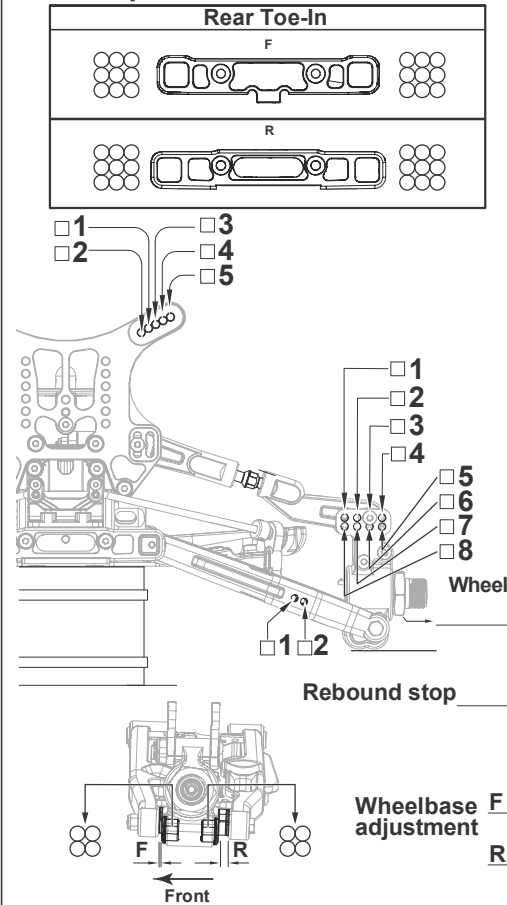
### Clutch

Clutch shoes: \_\_\_\_\_  
 Spring: \_\_\_\_\_ mm  
 Clutch bell / Spur gear: \_\_\_\_\_

### Front Suspension



### Rear Suspension



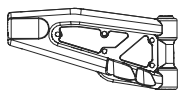
Notes

Notes

### Option Parts List

#### Front Upper Arm

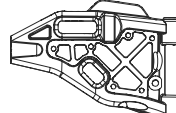
Hard  Soft



Carbon Cover \_\_\_\_\_ mm

#### Front Lower Arm

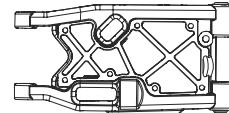
Hard  Medium  Soft



Carbon Cover \_\_\_\_\_ mm

#### Rear Lower Arm

Hard  Medium  Soft



Carbon Cover \_\_\_\_\_ mm