

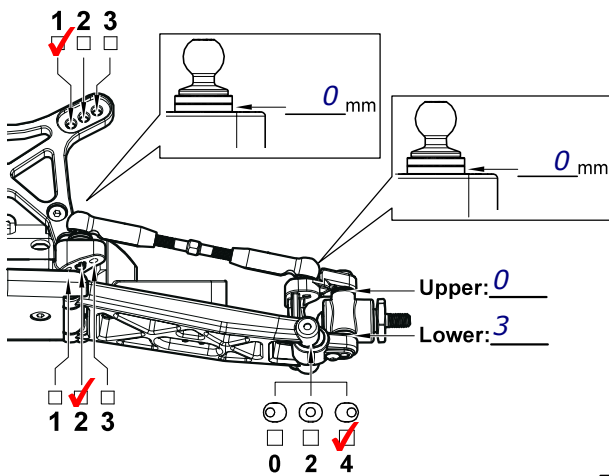
Conditions: Indoor Outdoor Dry Wet Blue Groove Hard Packed
 Composition: AstroTurf Clay Carpet Dirt Grass Other: _____
 Size: Open Medium Tight Traction: High Medium Low Surface: Smooth Medium Bumpy

Differential
 Ball: _____ Gear - Oil: 5000

Tire & Inserts
 Front Rear
 Tire: Cut Stagger Mini Pin 2
 Insert: _____ Tubby
 Notes: _____

Electronics
 Motor: _____ Spur/Pinion: _____
 Battery: _____
 Battery Position: _____
 ESC: _____
 ESC settings: _____
 Servo: _____ Receiver: _____

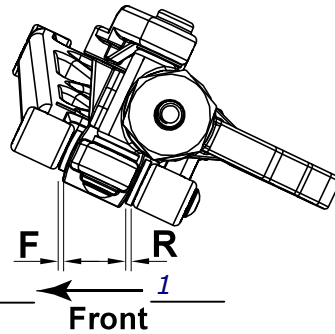
Front Suspension



Camber: -2

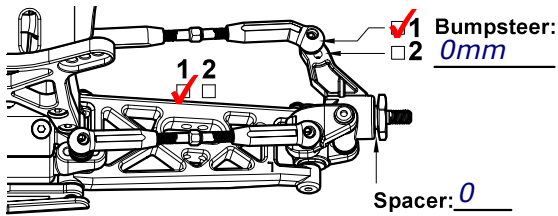
Toe: 0

Ride Height: 18



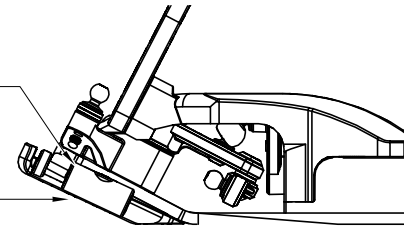
Front Shocks
 Oil: 450
 Piston: 2x1.6
 Spring: AE Red
 Preload: _____
 Limiter - In: 2.3 Out: 2

Notes: _____

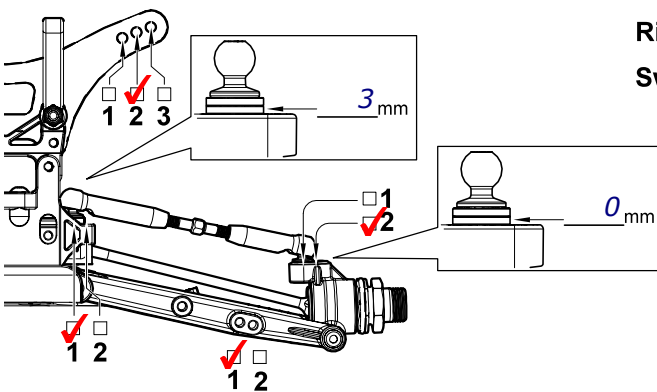


Arm Holder Spacer
 0.5mm 1mm

Caster
 25° 30°



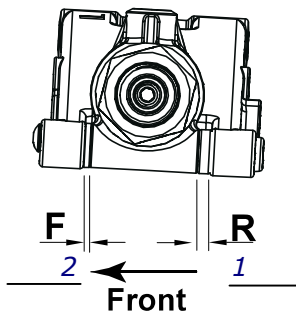
Rear Suspension



Camber: -2

Ride Height: 18

Swaybar: _____



Rear Shocks
 Oil: 350
 Piston: 2x1.7
 Spring: AE Blue
 Preload: _____
 Limiter - In: 2.3 Out: 2

Body: Sworz
 Wing: Sworz Sonic
 Notes: _____

Wing spacer _____ mm



Rear Toe-in	
F	R
<input type="checkbox"/> -1	<input type="checkbox"/> -1
<input checked="" type="checkbox"/> 0	<input checked="" type="checkbox"/> 0
<input type="checkbox"/> +1	<input type="checkbox"/> +1

Notes:

*Wing Spacer angled forward
 Front track narrow, and +4 caster
 Struggled for steering on Mini Pin 2. Probably better with shorter link and more anti squat, and front shock tower in middle.*