

Date	Track Composition: Size: <input type="checkbox"/> Open <input type="checkbox"/> Mixed <input type="checkbox"/> Tight Traction: <input type="checkbox"/> High <input type="checkbox"/> Medium <input type="checkbox"/> Low Surface: <input type="checkbox"/> Smooth <input type="checkbox"/> Both <input type="checkbox"/> Bumpy
Driver	

ESC	Motor	Battery	Battery Configuration		Tires	Tire Insert	Wheel	Body
			Shorty: _____ V x _____ Pcs	<input type="checkbox"/> STF <input type="checkbox"/> STM <input type="checkbox"/> STR <input type="checkbox"/> SD2 (Standard 2S) <input type="checkbox"/> SD4 (Standard 4S)	<input type="checkbox"/> Inward <input type="checkbox"/> Outward <input type="checkbox"/> Outward Only	Model:		
_____ A	_____ KV	_____ Mah	Standard: _____ V x _____ Pcs			Compounds:		

Diff Gear Set-Up

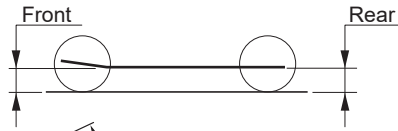
	Front	Center	Rear
Diff. Fluid	# _____	# _____	# _____
	_____ x _____ T	_____ x _____ T	_____ x _____ T

Shock Set-Up

Cap <input type="checkbox"/> Bladder <input type="checkbox"/> Emulsion	Front	Rear
Oil Brand: _____	# _____	# _____
Spring Collar Spacer	_____ mm	_____ mm
Pistons	φ _____ x _____	φ _____ x _____
Spring		

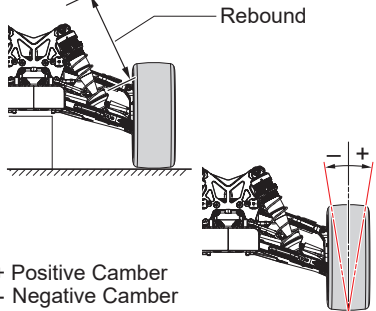
Ride Height

Front	Rear
_____ mm	_____ mm



Rebound

Front	Rear
_____ mm	_____ mm



Camber Angle

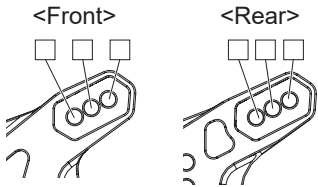
Front	Rear
+ _____ ° - _____ °	+ _____ ° - _____ °

+ Positive Camber
- Negative Camber

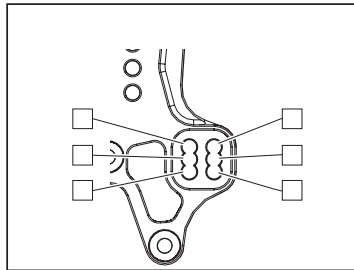
Wheelbase _____ mm

Track Width _____ mm

Shock Mount Position



Rear Upper Arm Position



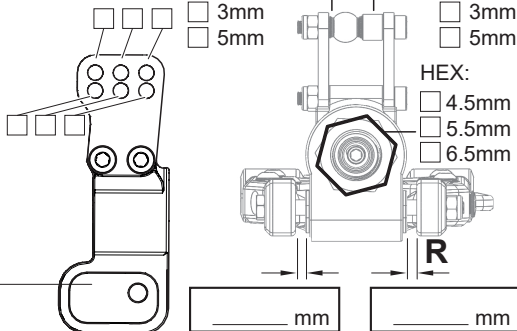
Sus. Arm

Front	<input type="checkbox"/> In <input type="checkbox"/> Out
Rear	<input type="checkbox"/> In <input type="checkbox"/> Out

Rear Hub

Plastic
 Aluminum

Hub Carrier Bush
 Plastic



Arm

Front	Rear
<input type="checkbox"/> Soft <input type="checkbox"/> Hard (Std.) <input type="checkbox"/> _____	<input type="checkbox"/> Soft <input type="checkbox"/> Hard (Std.) <input type="checkbox"/> _____

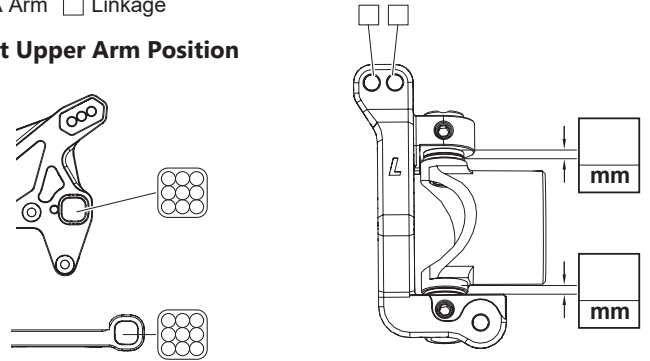
Front Hub Carrier

Plastic Aluminum
 16° 20° _____°

Front Upper Arm

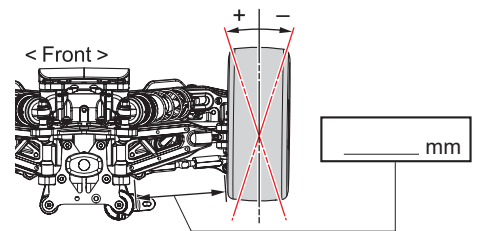
A Arm Linkage

Front Upper Arm Position



Toe Angle

Front	
+ _____ °	○
- _____ °	○



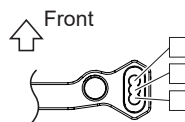
Front Toe-In

FF **FR**

Rear Toe-In

RF **RR**

Steering Plate



Sway Bar

Front	Rear
φ _____	φ _____
_____ mm	_____ mm

Wing

High Force
 Holes
 Without

Wing Position / Angle

H 0°
 M +1.5°
 L +3°

Notes