

Date	Track Composition: Size: <input type="checkbox"/> Open <input type="checkbox"/> Mixed <input type="checkbox"/> Tight Traction: <input type="checkbox"/> High <input type="checkbox"/> Medium <input type="checkbox"/> Low Surface: <input type="checkbox"/> Smooth <input type="checkbox"/> Both <input type="checkbox"/> Bumpy
Driver	

Engine	Plug	Muffler	Clutch Spring	Clutch Shoe	Tire	Tire Insert	Wheel	Body	Fuel
			\varnothing ___ x ___		Model :				
					Compounds:				

Diff Gear Set-Up

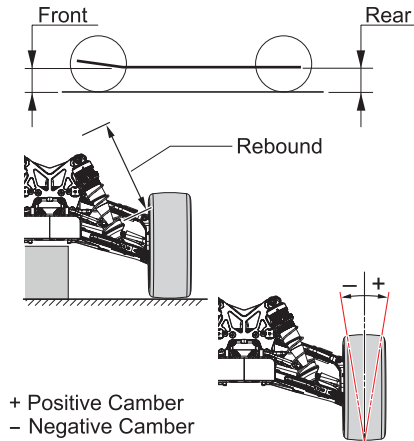
	Front	Center	Rear
Diff. Fluid	#	#	#
	___ x ___ T	___ x ___ T	___ x ___ T

Shock Set-Up

Cap <input type="checkbox"/> Bladder <input type="checkbox"/> Emulsion	Front	Rear
Oil Brand: _____ #	#	#
Spring Collar Spacer	mm	mm
Pistons	\varnothing ___ x ___	\varnothing ___ x ___
Spring		

Ride Height

Front	Rear
mm	mm



Rebound

Front	Rear
mm	mm

Camber Angle

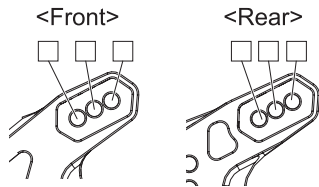
Front	Rear
+ °	+ °
- °	- °

+ Positive Camber
- Negative Camber

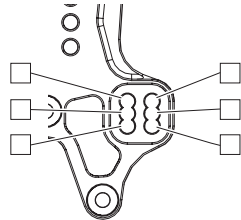
Wheelbase _____ mm

Track Width _____ mm

Shock Mount Position



Rear Upper Arm Position



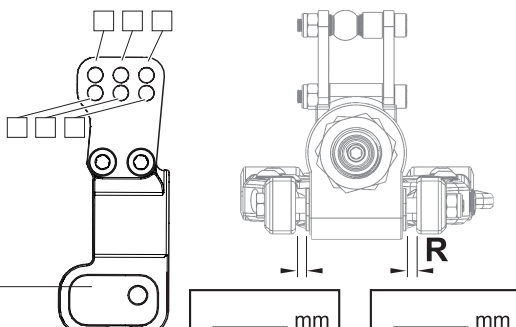
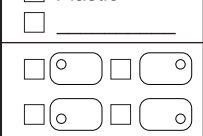
Sus. Arm

Front	<input type="checkbox"/> In	<input type="checkbox"/> Out
Rear	<input type="checkbox"/> In	<input type="checkbox"/> Out

Rear Hub

- Plastic
- Aluminum

Hub Carrier Bush
 Plastic



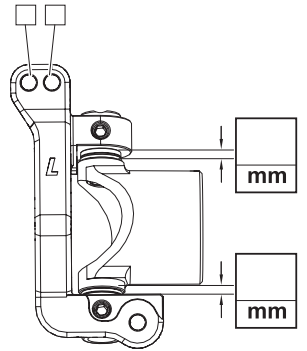
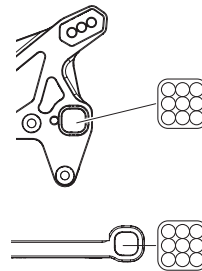
Arm

Front	Rear
<input type="checkbox"/> Soft	<input type="checkbox"/> Soft
<input type="checkbox"/> Hard (Std.)	<input type="checkbox"/> Hard (Std.)
<input type="checkbox"/> _____	<input type="checkbox"/> _____

Front Hub Carrier

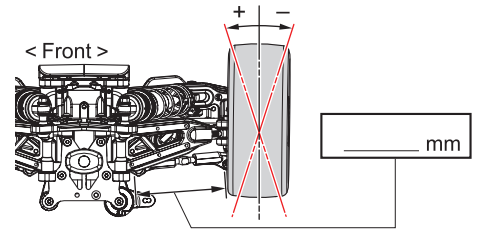
- Plastic Aluminum
- 16° 20° _____°

Front Upper Arm Position



Toe Angle

Front	
+ °	°
- °	°



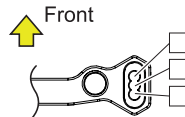
Front Toe-In



Rear Toe-In

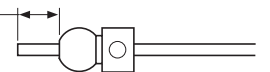


Steering Plate



Sway Bar

Front	Rear
\varnothing	\varnothing
mm	mm



Wing

- High Force
- Holes
- Without

Wing Position / Angle

- H
 - M
 - L
 - H
 - M
 - L
- 0°
 +1.5°
 +3°

Notes