

Engine	Plug	Muffler	Clutch Spring	Clutch Shoe	Tire	Tire Insert	Wheel	Body	Fuel
OS Vs. Bot	P3	2135	ϕ ___ x ___		Model: BLADE M1	VP.Pro	VP.Pro	Original	Merlin
					Compounds:				

Diff Gear Set-Up

	Front	Center	Rear
Diff. Fluid	# 1500 43 x 13 T	# 1250 46 x 13 T	# 4000 43 x 13 T

Shock Set-Up

Cap <input type="checkbox"/> Bladder <input type="checkbox"/> Emulsion	Front	Rear
Oil Brand:	# 400	# 400
Spring Collar Spacer	mm	mm
Pistons	ϕ 1.3 x 6	ϕ 1.4 x 6
Spring	H62	S80

Ride Height

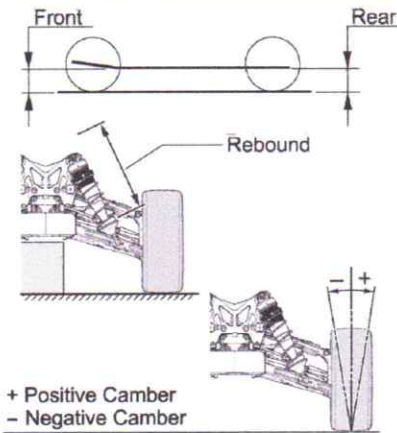
Front	Rear
22 mm	25 mm

Rebound

Front	Rear
63 mm	125 mm

Camber Angle

Front	Rear
+ 0 °	+ 2 °

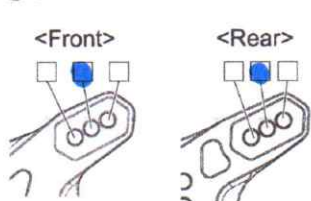


+ Positive Camber
- Negative Camber

● Wheelbase _____ mm

● Track Width _____ mm

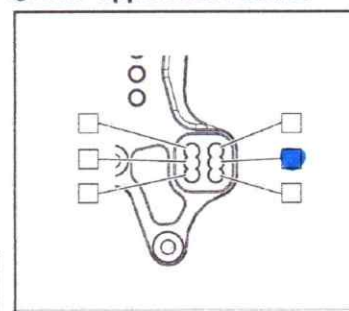
Shock Mount Position



Sus. Arm

Front	<input type="checkbox"/> In	<input type="checkbox"/> Out
Rear	<input type="checkbox"/> In	<input type="checkbox"/> Out

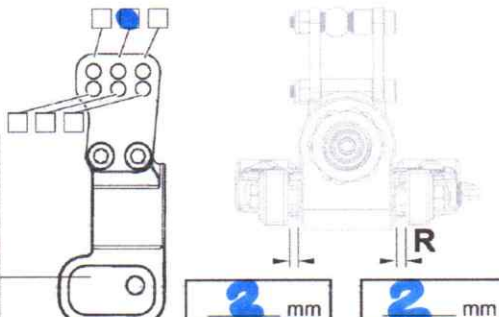
Rear Upper Arm Position



Rear Hub

- Plastic
- Aluminum

- Hub Carrier Bush
- Plastic
- _____



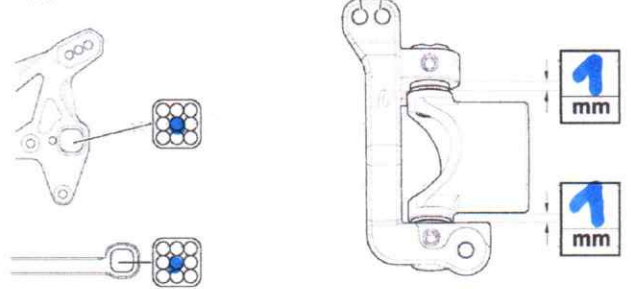
Arm

Front	Rear
<input type="checkbox"/> Soft	<input type="checkbox"/> Soft
<input checked="" type="checkbox"/> Hard (Std.)	<input checked="" type="checkbox"/> Hard (Std.)
<input type="checkbox"/> _____	<input type="checkbox"/> _____

Front Hub Carrier

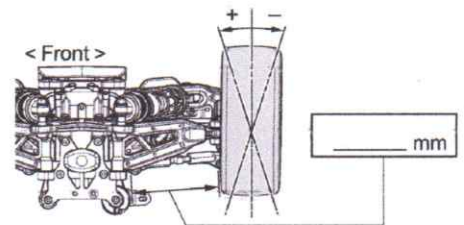
- Plastic
- Aluminum
- 16°
- 20°
- _____°

Front Upper Arm Position



Toe Angle

Front	Angle
+	°
-	2 °



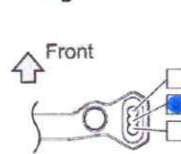
Front Toe-In



Rear Toe-In



Steering Plate



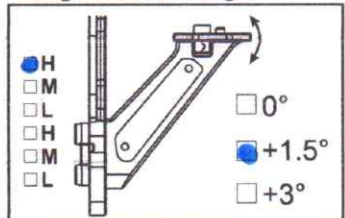
Sway Bar

Front	Rear
ϕ 2.8 mm	ϕ 2.6 mm

Wing

- High Force
- Holes
- Without

Wing Position / Angle



Notes

Aileron VP.Pro Poids 25gr Amier