

DRIVER, TRACK AND RESULTS

DRIVER _____ **COUNTRY** _____ **WEATHER** AIR TEMP _____ TRACK TEMP _____ DRY INTERMEDIATE WET
RACE _____ **DATE** _____ **QUALY POS.** _____ **STARTING POS.** _____ **FINAL POS.** _____ **FASTEST LAP** _____
TRACK _____ **TYPE** TIGHT MEDIUM OPEN **GRIP** LOW MEDIUM HIGH
SURFACE CONDITION SMOOTH ROUGH
TYPE HARD PACKED CLAY MULTI/SURFACE GRASS BLUE GROOVE DIRT ASTRO-TURF

FRONT SHOCK ABSORBERS		REAR	
cst	OIL	cst	
SPRINGS			
mm REBOUND		mm	
N° HOLES	∅ mm	PISTONS N° HOLES	∅ mm
<input type="checkbox"/> BLADDER	SEAL	<input type="checkbox"/> BLADDER	
<input type="checkbox"/> EMULSION	TYPE	<input type="checkbox"/> EMULSION	

FRONT ANTI-ROLL BARS		REAR	
<input type="checkbox"/>	<input type="checkbox"/>	<input type="checkbox"/>	<input type="checkbox"/>
1.8	2.0	2.3	2.5
2.7	1.8	2.0	2.3
2.5	2.7	2.5	2.7

DIFFERENTIAL OIL

FRONT DIFF cst CENTER DIFF cst REAR DIFF cst

GEARING

CLUTCH BELL Teeth SPUR GEAR Teeth

CLUTCH

CLUTCH BELL STANDARD VENTED FLYWHEEL STEEL ALU

CLUTCH SHOES CLUTCH SPRINGS
 SHOE TYPE _____ x _____ with SPRINGS TYPE _____ mm
 SHOE TYPE _____ x _____ with SPRINGS TYPE _____ mm

ENGINE, PIPE AND FUEL

ENGINE BRAND _____ TYPE _____
 HEADSHIMS _____ mm GLOWPLUG _____ CARB ∅ _____ mm
 EXHAUST PIPE _____ MANIFOLD _____
 FUEL BRAND _____ NITRO _____ %

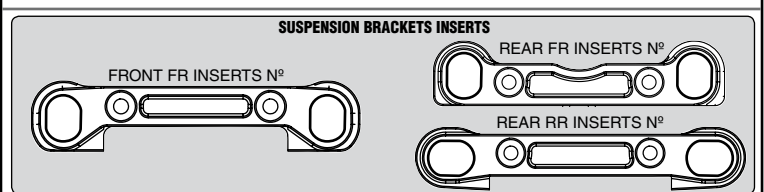
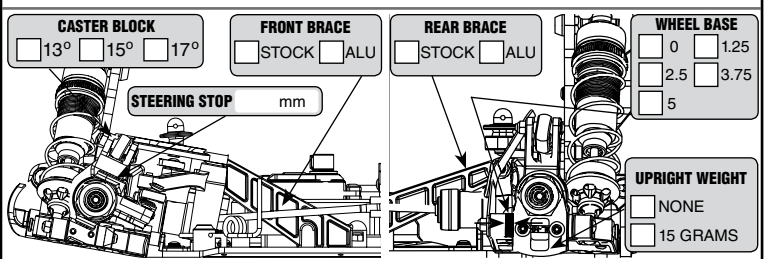
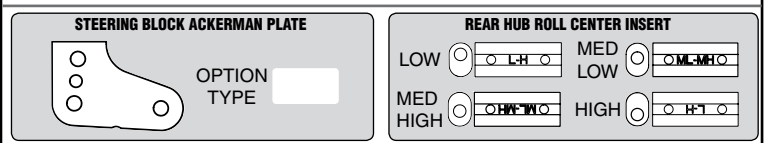
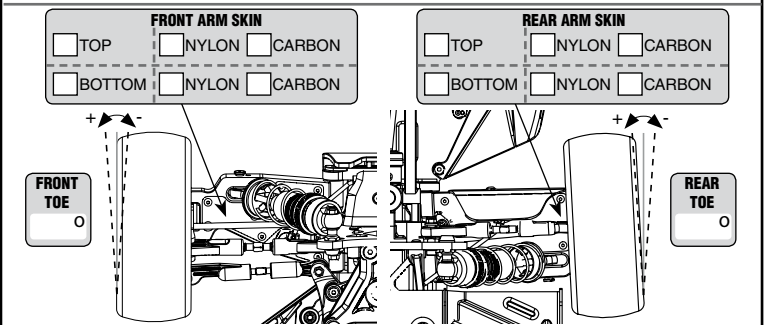
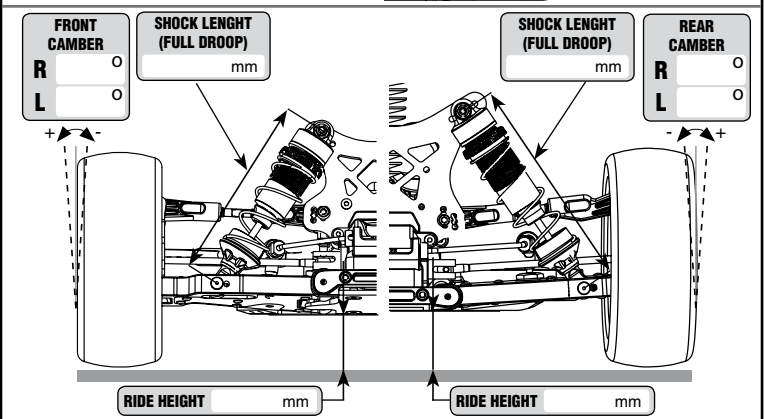
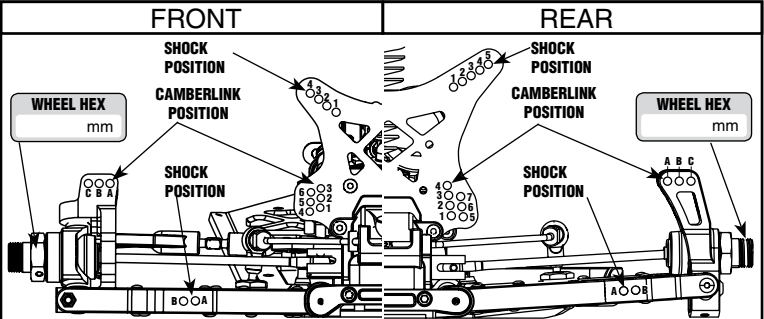
FLEX CONFIGURATION

ENGINE MOUNT STANDARD MONOBLOCK

AERODYNAMIC CONFIGURATION

BODY STANDARD HIGH DOWNFORCE OTHER _____
WING
 TYPE _____ WING PLATES 2° 4° 6°
 GURNEY STRIP YES NO CENTER FOIL YES NO

FRONT TIRES	Controlled Tire <input type="checkbox"/>	REAR
MAKE		
TYPE		
INSERTS		
WHEELS		



REMARKS _____