

SET UP

SPYDER SRX4



RACE DATE TRACK

DRIVER TRACK TEMP AIR TEMP

INDOOR TIGHT MEDIUM LOW BITE HIGH BITE
 OUTDOOR OPEN MED BITE

TRACK DESCRIPTION

SMOOTH HARD PACKED GRASS ASTRO-TURF CLAY
 ROUGH BLUE GROOVE CARPET MULTI/SURFACE

FRONT DIFFERENTIALS **REAR**

BALL DIFFERENTIAL BALL DIFFERENTIAL
 GEAR DIFF cst GEAR DIFF cst
 ONE WAY

DIFFERENTIAL HEIGHT DIFFERENTIAL HEIGHT

HIGH MED LOW HIGH MED LOW

GEAR RATIO

| | |
|--------------------------|-------|
| SPUR GEAR | TEETH |
| PINION | TEETH |
| FINAL DRIVE RATIO | |

ELECTRONICS

BATTERY

BRAND CAPACITY

MOTOR

BRAND TYPE TIMING

ESC

BRAND TYPE

SHOCK ABSORBERS

| | FRONT | REAR |
|-------------------------------------------------------------------------------------------------|----------------------------------------------------------------------------------------------------------------------------------|----------------------------------------------------------------------------------------------------------------------------------|
| OIL | cst | cst |
| SPRING | | |
| LIMITERS (2) | mm | mm |
| LENGTH (3) | mm | mm |
| REBOUND (4) | mm | mm |
| BLADDER / SEAL (5) | <input type="checkbox"/> BLADDER <input type="checkbox"/> BLADDER <input type="checkbox"/> SEAL <input type="checkbox"/> SEAL | <input type="checkbox"/> BLADDER <input type="checkbox"/> BLADDER <input type="checkbox"/> SEAL <input type="checkbox"/> SEAL |
| SPRING BUCKET | <input type="checkbox"/> SHORT <input type="checkbox"/> SHORT <input type="checkbox"/> LONG <input type="checkbox"/> LONG | <input type="checkbox"/> SHORT <input type="checkbox"/> SHORT <input type="checkbox"/> LONG <input type="checkbox"/> LONG |
| PISTONS (1) | N° OF HOLES | |
| | DIAMETER | mm |
| TYPE | | |
| <input type="checkbox"/> STOCK <input type="checkbox"/> CONICAL <input type="checkbox"/> SQUARE | | |

FRONT **ANTI-ROLL BARS** **REAR**

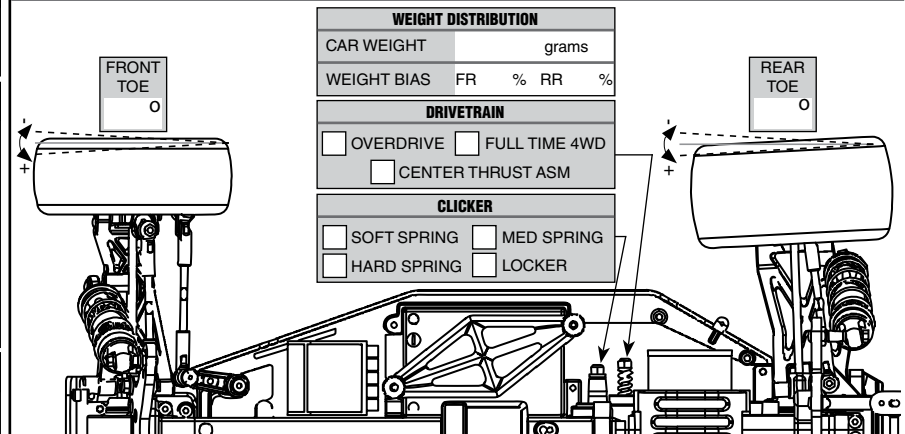
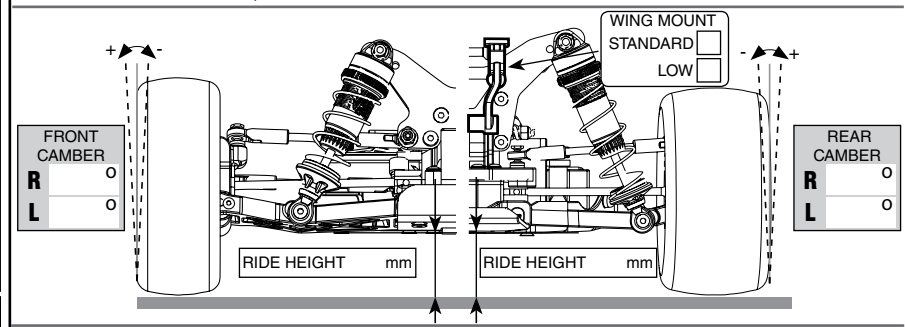
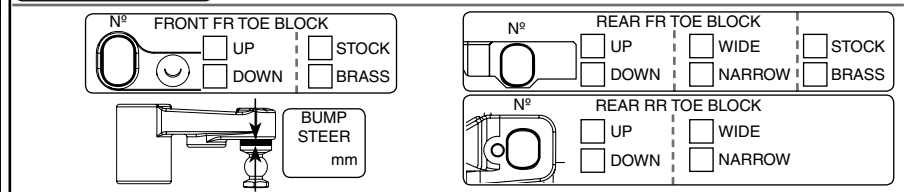
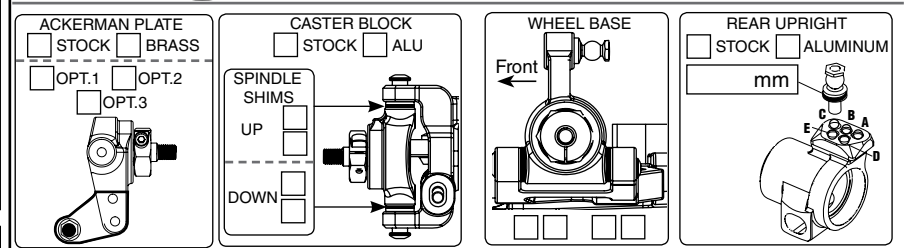
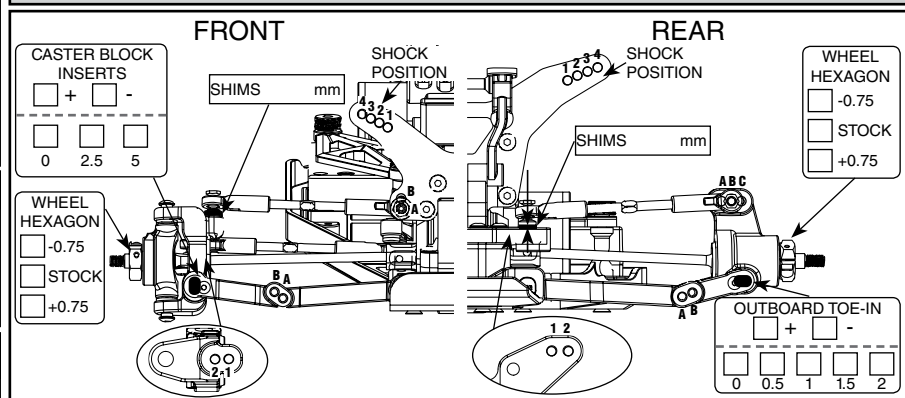
Other Other
 0.9 1 1.1 1.1 1.3 1.5

TIRES

| FRONT | Controlled Tire | REAR |
|-------|-----------------|------|
| | MAKE | |
| | TYPE | |
| | COMPOUND | |
| | INSERT TYPE | |
| | WHEELS | |
| | ADDITIVE | |

AERODYNAMIC CONFIGURATION

| | | |
|------------------------|----------------------------------------------------------------------------------------------------------------------------------------|------|
| BODY | BRAND | TYPE |
| REAR WING | BRAND | TYPE |
| REAR WING WIDTH | | |
| REAR WING LIP | mm | |
| REAR WING ANGLE | 0 <input type="checkbox"/> 2 <input type="checkbox"/> 4 <input type="checkbox"/> 6 <input type="checkbox"/> 8 <input type="checkbox"/> | |
| FRONT WING | YES <input type="checkbox"/> NO <input type="checkbox"/> | |



REMARKS