

# SET UP

## SPYDER SRX4



RACE  DATE  TRACK

DRIVER  TRACK TEMP  AIR TEMP

INDOOR     TIGHT    MEDIUM     LOW BITE    HIGH BITE  
 OUTDOOR    OPEN                       MED BITE    \_\_\_\_\_  
**TRACK DESCRIPTION**  
 SMOOTH    HARD PACKED    GRASS    ASTRO-TURF    CLAY  
 ROUGH     BLUE GROOVE    CARPET    MULTI/SURFACE    \_\_\_\_\_

**FRONT DIFFERENTIALS      REAR**

BALL DIFFERENTIAL     BALL DIFFERENTIAL  
 GEAR DIFF              cst     GEAR DIFF              cst  
 ONE WAY  
 -----  
 DIFFERENTIAL HEIGHT    DIFFERENTIAL HEIGHT  
 HIGH    MED    LOW     HIGH    MED    LOW

**GEAR RATIO**

|                          |       |
|--------------------------|-------|
| <b>SPUR GEAR</b>         | TEETH |
| <b>PINION</b>            | TEETH |
| <b>FINAL DRIVE RATIO</b> |       |

**ELECTRONICS**

**BATTERY**

BRAND  CAPACITY

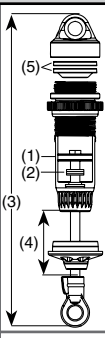
**MOTOR**

BRAND  TYPE  TIMING

**ESC**

BRAND  TYPE

**SHOCK ABSORBERS**



|                                                                                                 | FRONT                                                                                                                            | REAR                                                                                                                             |
|-------------------------------------------------------------------------------------------------|----------------------------------------------------------------------------------------------------------------------------------|----------------------------------------------------------------------------------------------------------------------------------|
| OIL                                                                                             | cst                                                                                                                              | cst                                                                                                                              |
| SPRING                                                                                          |                                                                                                                                  |                                                                                                                                  |
| LIMITERS (2)                                                                                    | mm                                                                                                                               | mm                                                                                                                               |
| LENGTH (3)                                                                                      | mm                                                                                                                               | mm                                                                                                                               |
| REBOUND (4)                                                                                     | mm                                                                                                                               | mm                                                                                                                               |
| BLADDER / SEAL (5)                                                                              | <input type="checkbox"/> BLADDER <input type="checkbox"/> BLADDER<br><input type="checkbox"/> SEAL <input type="checkbox"/> SEAL | <input type="checkbox"/> BLADDER <input type="checkbox"/> BLADDER<br><input type="checkbox"/> SEAL <input type="checkbox"/> SEAL |
| SPRING BUCKET                                                                                   | <input type="checkbox"/> SHORT <input type="checkbox"/> SHORT<br><input type="checkbox"/> LONG <input type="checkbox"/> LONG     | <input type="checkbox"/> SHORT <input type="checkbox"/> SHORT<br><input type="checkbox"/> LONG <input type="checkbox"/> LONG     |
| PISTONS (1)                                                                                     | N° OF HOLES                                                                                                                      |                                                                                                                                  |
|                                                                                                 | DIAMETER                                                                                                                         | mm                                                                                                                               |
| <b>TYPE</b>                                                                                     |                                                                                                                                  |                                                                                                                                  |
| <input type="checkbox"/> STOCK <input type="checkbox"/> CONICAL <input type="checkbox"/> SQUARE |                                                                                                                                  |                                                                                                                                  |

**FRONT**  ANTI-ROLL BARS    **REAR**

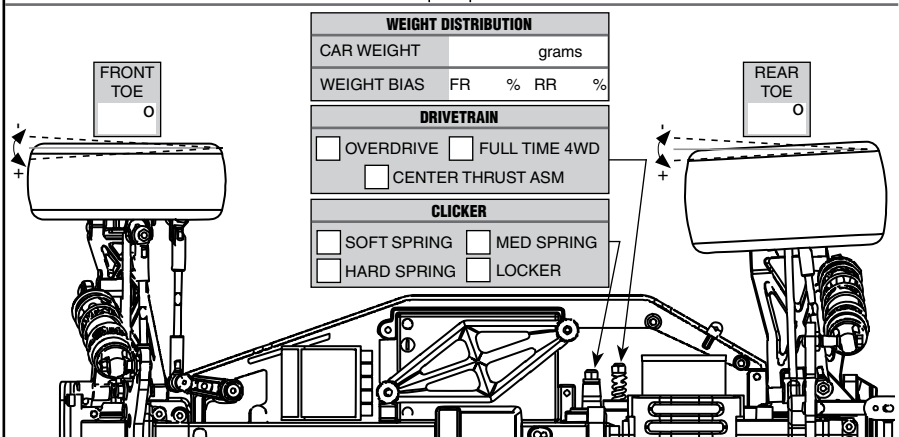
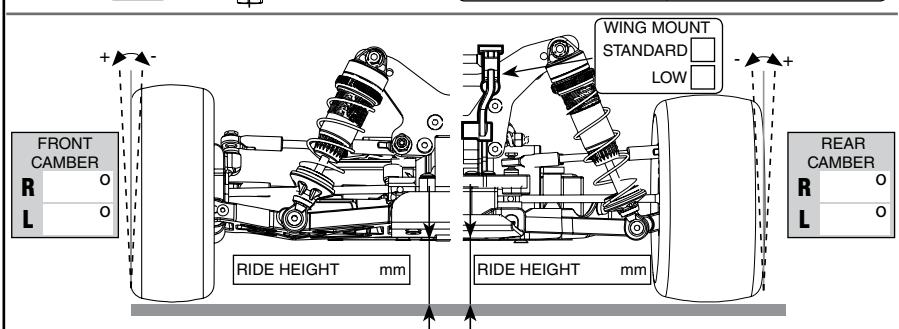
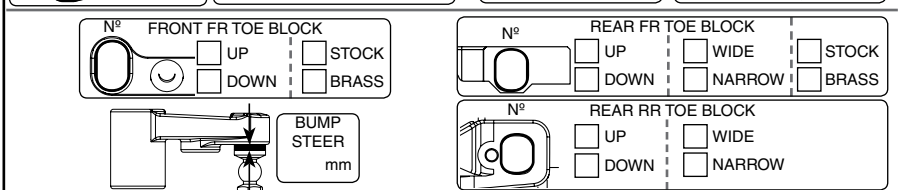
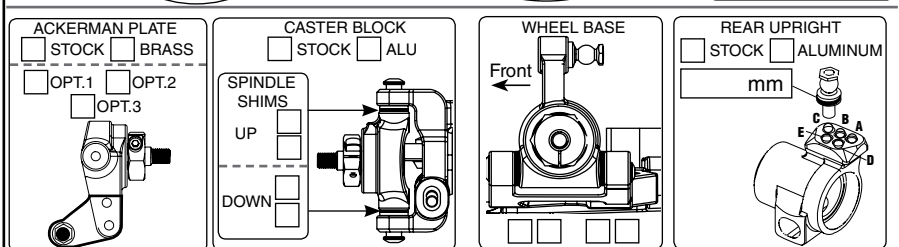
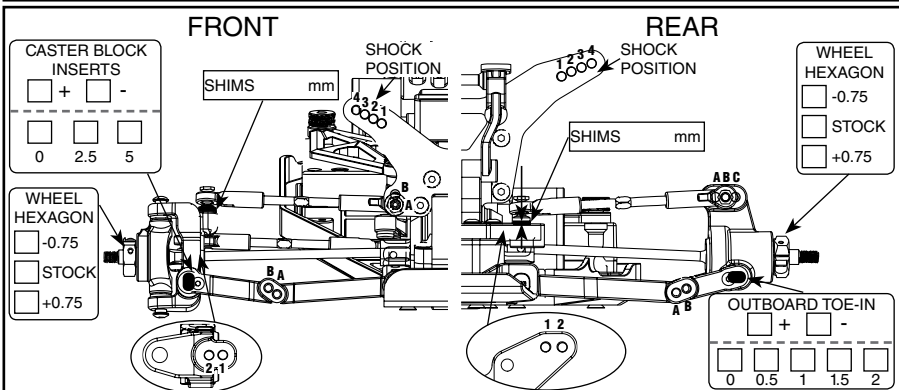
Other       Other  
 0.9   1   1.1        1.1   1.3   1.5

**TIRES**

| FRONT | Controlled Tire | REAR |
|-------|-----------------|------|
|       | MAKE            |      |
|       | TYPE            |      |
|       | COMPOUND        |      |
|       | INSERT TYPE     |      |
|       | WHEELS          |      |
|       | ADDITIVE        |      |

**AERODYNAMIC CONFIGURATION**

|                        |                                                                                                                                        |      |
|------------------------|----------------------------------------------------------------------------------------------------------------------------------------|------|
| <b>BODY</b>            | BRAND                                                                                                                                  | TYPE |
| <b>REAR WING</b>       | BRAND                                                                                                                                  | TYPE |
| <b>REAR WING WIDTH</b> |                                                                                                                                        |      |
| <b>REAR WING LIP</b>   | mm                                                                                                                                     |      |
| <b>REAR WING ANGLE</b> | 0 <input type="checkbox"/> 2 <input type="checkbox"/> 4 <input type="checkbox"/> 6 <input type="checkbox"/> 8 <input type="checkbox"/> |      |
| <b>FRONT WING</b>      | YES <input type="checkbox"/> NO <input type="checkbox"/>                                                                               |      |



**REMARKS**