

Driver: Ryan Cavalieri Date: _____ Event/Track: Us carpet championships
Qualify: _____ Final: _____ Best Lap: _____

TRACK TYPE

Grip Level High Medium Low
Type Tight Open Mixed
Condition Flat Bumpy Mixed
Surface Clay Long Astro Carpet
Grass Short Astro Mixed
Weather _____

TYRES

	FRONT	REAR
Tyres	_____	_____
Wheels	_____	_____
Inserts	_____	_____

Notes:

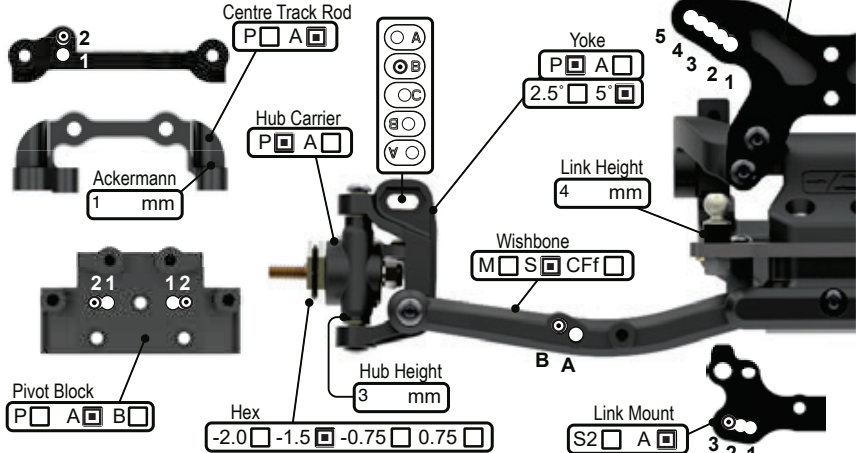
Notes:

FRONT SUSPENSION

KEY: P = Plastic, A = Alloy, B = Brass, CF = Carbon Fibre, S2 = Schumacher Composite, M = Medium, S = Stiff, Sh = Short, H = High, L = Low, F = Front, R = Rear, Y = Yes, N = No

Ride Height 14 mm
Wheelbase 0 +1.5 +3.0 +4.5
Toe 1 deg In Out
Camber at Ride Height -1 deg
Anti Roll Bar 0.9 1.0 1.1 1.2
Front Wing Y N
Bump Steer Washers 1 mm
Pivot Block Height H M L
Steering Arm Kit A B C

Notes:

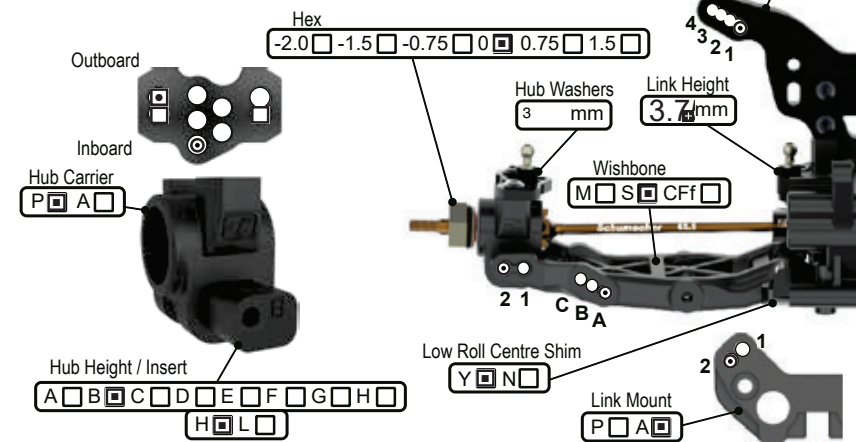


REAR SUSPENSION

KEY: P = Plastic, A = Alloy, B = Brass, CF = Carbon Fibre, S2 = Schumacher Composite, M = Medium, S = Stiff, Sh = Short, H = High, L = Low, F = Front, R = Rear, Y = Yes, N = No

Ride Height 14 mm
Wheelbase 0 +2 +4 +6
Anti-Squat 1° 2° 3° 4°
Toe 4° 3.5° 3° 2.5° 2° 1.5° 1.0° 0.5°
Camber at Ride Height -1 deg
Anti Roll Bar 1.0 1.1 1.2 1.3 1.4
Wing Gurney Height _____ mm
Rearward Shock Position Y N
Driveshaft Type CVD U/J
Gearbox Type Laydown Layback

Notes:



TRANSMISSION

B = Ball, 2g = 2 Gear, 4g = 4 Gear

Diff Height H M L
Diff Oil 40k cSt
Diff Type B 2g 4g
Motor 5.0
Rotor Dia. 12.5 mm
Timing 30 deg
Pinion 20 t
Spur 80 t
Motor Plate A CF
Lock Out Y N
Slipper Plates 2 3

CHASSIS

Chassis A C/F
Chassis Insert 0mm +5mm
LiPo Position 1 2 3 4 5 6 7 8
X Brace Y N
Running Weight 1515 g
Radio Tray 1 2 3
Notes:

EQUIPMENT

E.S.C. Hobbywing
Servo Savox
RX Sanwa
LiPo 4000
Bodyshell F2

WEIGHTS

Chassis F R
Rear Strap F R
Radio Tray Y N
Under LiPo Y N

SHOCKS

KEY: i = Internal, e = External, V = Vented, S = Sealed, A = Aeration

	FRONT	REAR
Cap	V <input type="checkbox"/> S <input type="checkbox"/> A <input type="checkbox"/>	V <input type="checkbox"/> S <input type="checkbox"/> A <input type="checkbox"/>
Body	Kashima	Kashima
Oil	575 cSt	525 cSt
Piston	1.6	1.8
Spring	Orange hr lb/in	Black hr lb/in
Limiters (i)	1 mm	mm
Stroke	20.7 mm	28 mm
Limiters (e)	2 mm	3 mm

Notes:

