

Driver: DANIEL Date: Event/Track: Mibosport international 2024
 Qualify: 1st Final: 2nd Best Lap:

TRACK TYPE

Grip Level High Medium Low
 Type Tight Open Mixed
 Condition Flat Bumpy Mixed
 Surface Clay Long Astro Carpet
 Grass Short Astro Mixed
 Weather indoor

TYRES

	FRONT	REAR
Tyres	CUT STAGGER	CACTUS
Wheels	SCHUMACHER	SCHUMACHER
Inserts	SCHUMACHER	SHUMACHER

Notes:

Notes:

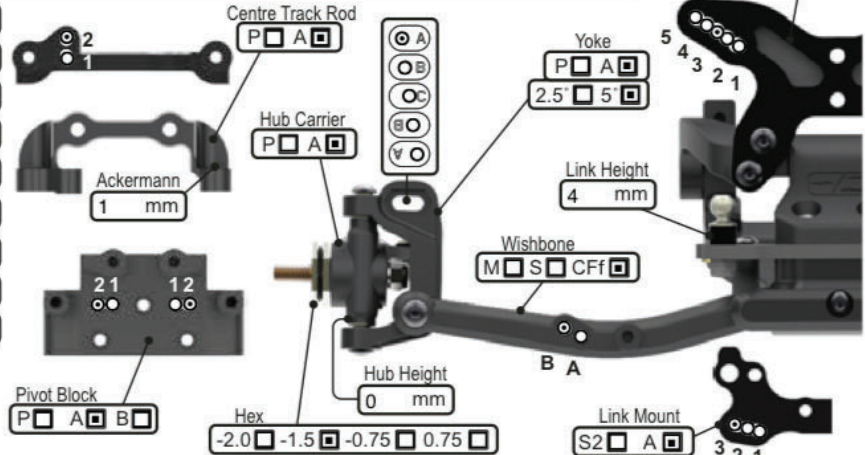
6 INCH JC WING
 1UP BLACK TURNBUCKLES
 1UP TITANIUM SCREWS

FRONT SUSPENSION

KEY: P = Plastic, A = Alloy, B = Brass, CF = Carbon Fibre, S2 = Schumacher Composite, M = Medium, S = Stiff, Sh = Short, H = High, L = Low, F = Front, R = Rear, Y = Yes, N = No

Ride Height 14 mm
 Wheelbase 0 +1.5 +3.0 +4.5
 Toe 1 deg In Out
 Camber at Ride Height -1 deg
 Anti Roll Bar 0.9 1.0 1.1 1.2
 Front Wing Y N
 Bump Steer Washers 1 mm
 Pivot Block Height H M L
 Steering Arm Kit A B C

Notes:

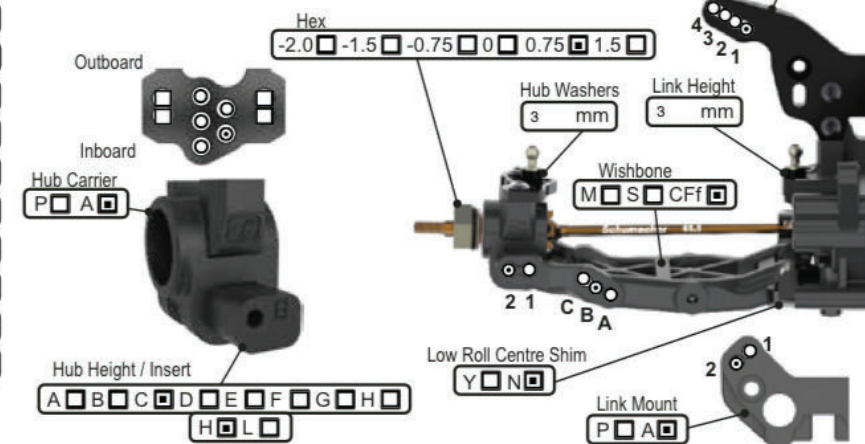


REAR SUSPENSION

KEY: P = Plastic, A = Alloy, B = Brass, CF = Carbon Fibre, S2 = Schumacher Composite, M = Medium, S = Stiff, Sh = Short, H = High, L = Low, F = Front, R = Rear, Y = Yes, N = No

Ride Height 14 mm
 Wheelbase 0 +2 +4 +6
 Anti-Squat 1 2 3 4
 Toe 4 3.5 3 2.5 2 1.5 1.0 0.5
 Camber at Ride Height 1 deg
 Anti Roll Bar 1.0 1.1 1.2 1.3 1.4
 Wing Gurney Height mm
 Rearward Shock Position Y N
 Driveshaft Type CVD U/J
 Gearbox Type Laydown Layback

Notes:



TRANSMISSION

B = Ball, 2g = 2 Gear, 4g = 4 Gear

Diff Height H M L
 Diff Oil 40 cSt
 Diff Type B 2g 4g
 Motor hobbywing 4.5
 Rotor Dia. 12.5 mm
 Timing 30 deg
 Pinion 20 t
 Spur 80 t
 Motor Plate A CF
 Lock Out Y N
 Slipper Plates 2 3

CHASSIS

Chassis A C/F
 Chassis Insert 0mm +5mm
 LiPo Position 1 2 3 4 5 6 7 8
 X Brace Y N
 Running Weight g
 Radio Tray 1 2 3
 Notes:

EQUIPMENT

E.S.C. Hobbywing
 Servo Sanwa
 RX Sanwa
 LiPo Nosram
 Bodysell JC F2

WEIGHTS

Chassis F R
 Rear Strap F R
 Radio Tray Y N
 Under LiPo Y N

SHOCKS

KEY: i = Internal, e = External, V = Vented, S = Sealed, A = Aeration

	FRONT	REAR
Cap	V <input type="checkbox"/> S <input type="checkbox"/> A <input type="checkbox"/>	V <input type="checkbox"/> S <input type="checkbox"/> A <input type="checkbox"/>
Body	KASHIMA	KASHIMA
Oil	600 cSt	475 cSt
Piston	3x1.5	3x1.6
Spring	black hr lb/in	black hr lb/in
Limiters (i)	2 mm	0 mm
Stroke	20.5 mm	27.8 mm
Limiters (e)	mm	O-Ring mm

Notes:

