

Driver: Broc Champlin Date: 12/6/23 Event/Track: Hobby Action Jconcepts INS
Qualify: ... Final: ... Best Lap: ...

TRACK TYPE

Grip Level High Medium Low
Type Tight Open Mixed
Condition Flat Bumpy Mixed
Surface Clay Long Astro Carpet
Grass Short Astro Mixed
Weather 65F

TYRES

FRONT REAR
Tyres Jconcepts Smoothie 2 Jconcepts Smoothie 2
Wheels Jconcepts Mono Jconcepts Mono
Inserts ...

Notes:

Notes:

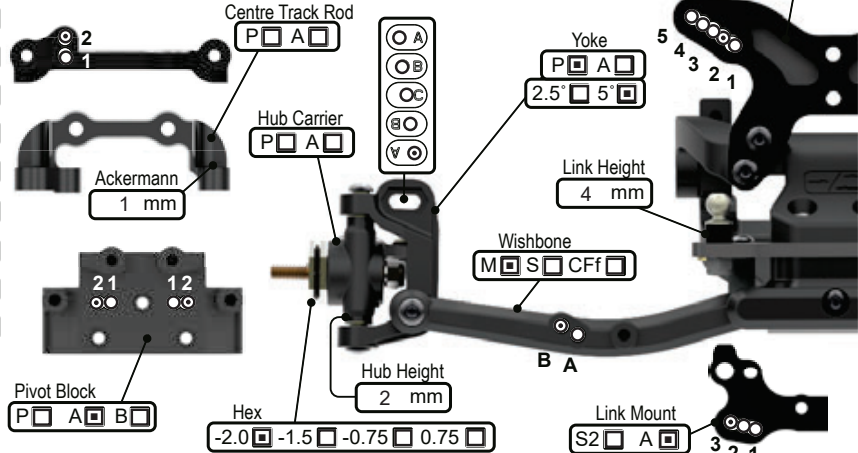
Whitz Racing Products:
HyperGlide Ceramic Bearings
HyperLite Screws
HyperMax 3.5mm Ti Turnbuckles

FRONT SUSPENSION

Ride Height 18 mm
Wheelbase 0 +1.5 +3.0 +4.5
Toe 1 deg In Out
Camber at Ride Height -1.5 deg
Anti Roll Bar 0.9 1.0 1.1 1.2
Front Wing Y N
Bump Steer Washers 3 mm
Pivot Block Height H M L
Steering Arm Kit A B C

Notes:

KEY: P = Plastic, A = Alloy, B = Brass, CF = Carbon Fibre, S2 = Schumacher Composite, M = Medium, S = Stiff, Sh = Short, H = High, L = Low, F = Front, R = Rear, Y = Yes, N = No

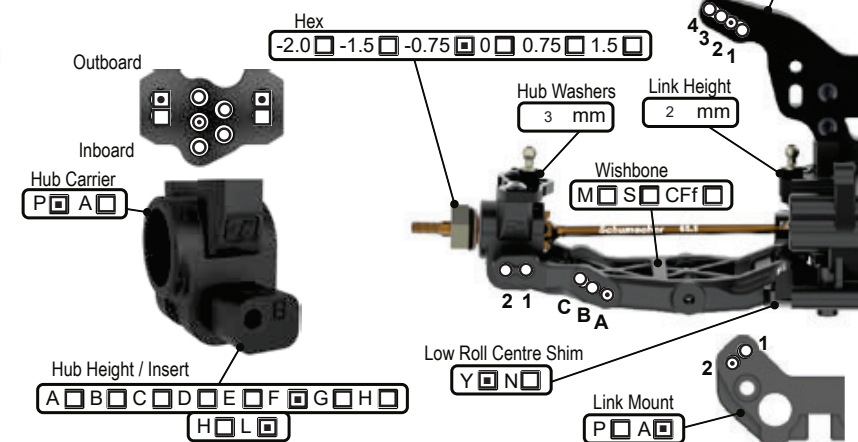


REAR SUSPENSION

Ride Height 18 mm
Wheelbase 0 +2 +4 +6
Anti-Squat 1° 2° 3° 4°
Toe 4° 3.5° 3° 2.5° 2° 1.5° 1.0° 0.5°
Camber at Ride Height -1.5 deg
Anti Roll Bar 1.0 1.1 1.2 1.3 1.4
Wing Gurney Height mm
Rearward Shock Position Y N
Driveshaft Type CVD U/J
Gearbox Type Laydown Layback

Notes:

KEY: P = Plastic, A = Alloy, B = Brass, CF = Carbon Fibre, S2 = Schumacher Composite, M = Medium, S = Stiff, Sh = Short, H = High, L = Low, F = Front, R = Rear, Y = Yes, N = No



TRANSMISSION

B = Ball, 2g = 2 Gear, 4g = 4 Gear

Diff Height H M L
Diff Oil cSt
Diff Type B 2g 4g
Motor LRP X22 7.0
Rotor Dia. 12.3 mm
Timing -2.5 deg
Pinion 21 t
Spur 80 t
Motor Plate A CF
Lock Out Y N
Slipper Plates 2 3

CHASSIS

Chassis A C/F
Chassis Insert 0mm +5mm
LiPo Position 1 2 3 4 5 6 7 8
X Brace Y N
Running Weight 1530 g
Radio Tray 1 2 3

Notes:

EQUIPMENT

E.S.C. LRP Flow X Off-Road
Servo MKS HBL 599 SL
RX ...
LiPo LRP LCG 4200 mAh
Bodyshell Jconcepts F2

WEIGHTS

Chassis F R
Rear Strap F R
Radio Tray Y N
Under LiPo Y N

SHOCKS

KEY: i = Internal, e = External, V = Vented, S = Sealed, A = Aeration

FRONT REAR
Cap V S A V S A
Body Kashima Kashima
Oil 32.5 cSt 30 cSt
Piston 2 hole 1.8 2 hole 1.9
Spring AE 13 Blue lb/in AE Grey V2 lb/in
Limiters (i) 0 mm 0 mm
Stroke 22 mm 29 mm
Limiters (e) 2 mm 1 mm

Notes:

