

Driver: Ben Smith Date: 28/10/24 Event/Track: Worksop
Qualify: Final: Best Lap:

TRACK TYPE

Grip Level High Medium Low
Type Tight Open Mixed
Condition Flat Bumpy Mixed
Surface Clay Long Astro Carpet
 Grass Short Astro Mixed
Weather

TYRES

	FRONT	REAR
Tyres	Honeycombs	Honeycombs
Wheels	Schuey	Schuey
Inserts		Cragg

Notes:

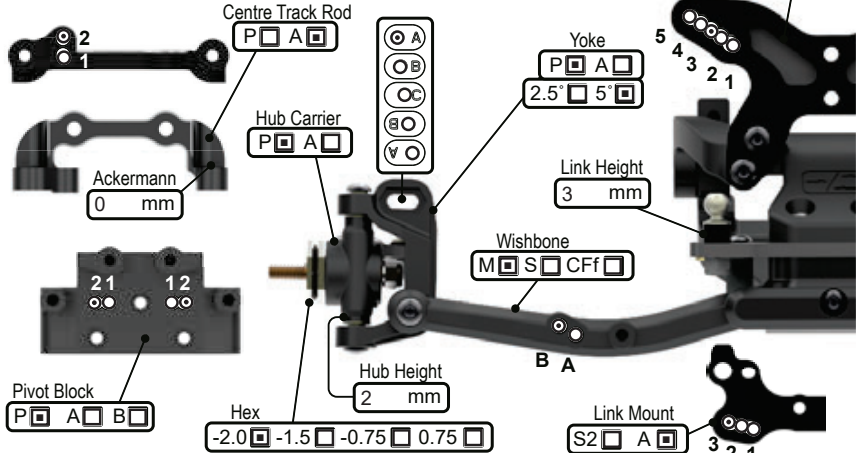
Notes:

FRONT SUSPENSION

Ride Height mm
Wheelbase
Toe deg In Out
Camber at Ride Height deg
Anti Roll Bar
Front Wing Y N
Bump Steer Washers mm
Pivot Block Height
Steering Arm A B C

Notes:

KEY: P = Plastic, A = Alloy, B = Brass, CF = Carbon Fibre, S2 = Schumacher Composite, M = Medium, S = Stiff, Sh = Short, H = High, L = Low, F = Front, R = Rear, Y = Yes, N = No

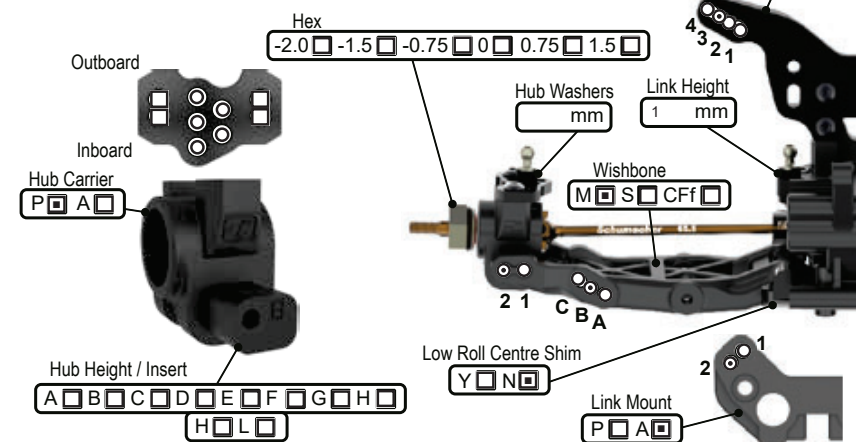


REAR SUSPENSION

Ride Height mm
Wheelbase
Anti-Squat
Toe
Camber at Ride Height deg
Anti Roll Bar
Wing Gurney Height mm
Rearward Shock Position Y N
Driveshaft Type CVD U/J
Gearbox Type Laydown Layback

LD2 rear hubs
Notes: 2.25 rear hex

KEY: P = Plastic, A = Alloy, B = Brass, CF = Carbon Fibre, S2 = Schumacher Composite, M = Medium, S = Stiff, Sh = Short, H = High, L = Low, F = Front, R = Rear, Y = Yes, N = No



TRANSMISSION

B = Ball, 2g = 2 Gear, 4g = 4 Gear

Diff Height H M L
Diff Oil cSt
Diff Type B 2g 4g
Motor
Rotor Dia. mm
Timing deg
Pinion t
Spur t
Motor Plate A CF
Lock Out Y N
Slipper Plates

CHASSIS

Chassis A C/F
Chassis Insert
LiPo Position 1 2 3 4 5 6 7 8
X Brace Y N
Running Weight g
Radio Tray 1 2 3
Notes:

EQUIPMENT

E.S.C.
Servo
RX
LiPo
Bodyshell

WEIGHTS

Chassis F R
Rear Strap F R
Radio Tray Y N
Under LiPo Y N

SHOCKS

KEY: i = Internal, e = External, V = Vented, S = Sealed, A = Aeration

	FRONT	REAR
Cap	<input type="checkbox"/> V <input type="checkbox"/> S <input type="checkbox"/> A <input type="checkbox"/>	<input type="checkbox"/> V <input type="checkbox"/> S <input type="checkbox"/> A <input type="checkbox"/>
Body	Kashima	Kashima
Oil	450 cSt	350 cSt
Piston	2 x 1.8	2 x 2.1
Spring	Blue HR lb/in	Green lb/in
Limiters (i)	0 mm	0 mm
Stroke	Kit mm	Kit mm
Limiters (e)	mm	1 red O-ring mm

Notes:

