

SET UP SHEET



Driver: wesley Date: 11/2021 Event/Track: EIR Charleroi
 Qualify: 4 Final: 1 Best Lap:

TRACK TYPE

Grip Level High Medium Low
 Type Tight Open Mixed
 Condition Flat Bumpy Mixed
 Surface Clay Long Astro Carpet
 Grass Short Astro Mixed
 Weather Indoor

TYRES

	FRONT	REAR
Tyres	low profile cut stagger	cactus yellow
Wheels	schumacher	schumacher
Inserts	no	medium

Notes:

Notes:

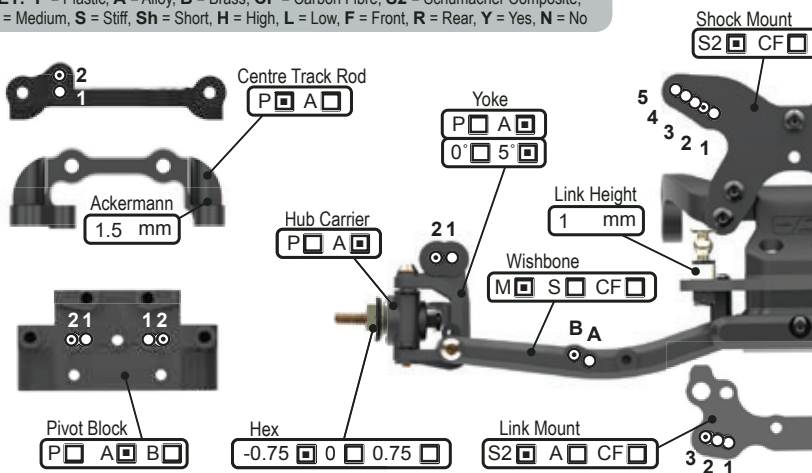
car was as fast on old tires as on new

FRONT SUSPENSION

KEY: P = Plastic, A = Alloy, B = Brass, CF = Carbon Fibre, S2 = Schumacher Composite, M = Medium, S = Stiff, Sh = Short, H = High, L = Low, F = Front, R = Rear, Y = Yes, N = No

Ride Height mm
 Wheelbase +1.5 +3.0 +4.5
 Toe deg In Out
 Camber at Ride Height deg
 Anti Roll Bar 1.0 1.1 1.2
 Front Wing Y N
 Hub Height H M L
 Bump Steer Washers mm
 Pivot Block Height H M L

Notes:

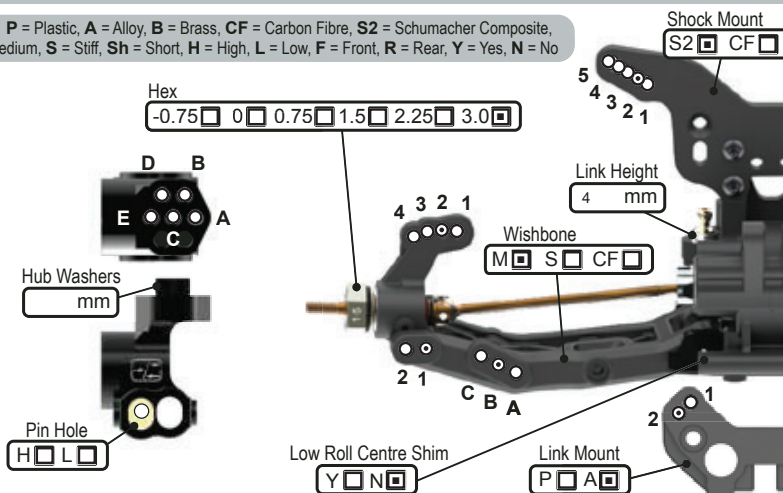


REAR SUSPENSION

KEY: P = Plastic, A = Alloy, B = Brass, CF = Carbon Fibre, S2 = Schumacher Composite, M = Medium, S = Stiff, Sh = Short, H = High, L = Low, F = Front, R = Rear, Y = Yes, N = No

Ride Height mm
 Wheelbase Sh M L
 Anti-Squat 2 3 4
 Toe 3.5 3 2.5 2 1.5 1 0.5
 Camber at Ride Height deg
 Anti Roll Bar 1.1 1.2 1.3 1.4
 Wing Gurney Height mm
 Rearward Shock Position Only A B
 Driveshaft Type CVD U/J

Notes:



TRANSMISSION

Diff Height H M L
 Diff Oil cSt
 Diff Type B 2g 4g
 Motor
 Rotor Dia. mm
 Timing deg
 Pinion t
 Spur t
 Motor Plate A CF
 Lock Out Y N
 Slipper Plates 2 3

CHASSIS

Chassis A C/F
 Side Pods S C/F
 Chassis Insert 0mm +5mm
 LiPo Position 1 2 3 4 5 6 7 8
 X Brace Y N
 Running Weight
 Radio Tray 1 2 3
 Notes:
 used wdesign linear lipo brace

EQUIPMENT

E.S.C.
 Servo
 RX
 LiPo
 Bodyshell

WEIGHTS

Chassis F R
 Rear Strap F R
 Radio Tray Y N
 Under LiPo Y N

SHOCKS

KEY: i = Internal, e = External, V = Vented, S = Sealed, A = Aeration

	FRONT	REAR
Cap	<input type="checkbox"/> V <input type="checkbox"/> S <input type="checkbox"/> A <input type="checkbox"/>	<input type="checkbox"/> V <input type="checkbox"/> S <input type="checkbox"/> A <input type="checkbox"/>
Body	kashyma	kashyma
Oil	550 cSt	450 cSt
Piston	3x1.5	3x1.6
Spring	Black HR lb/in	black HR lb/in
Limiters (i)	<input type="text"/> mm	<input type="text"/> mm
Stroke	22.3 mm	28 mm
Limiters (e)	<input type="text"/> mm	<input type="text"/> mm

Notes:

