

SET UP SHEET



Driver: Ryan Cavalieri Date: 4-26-23 Event/Track: Beachline Raceway
 Qualify: Final: Best Lap:

TRACK TYPE

Grip Level High Medium Low
 Type Tight Open Mixed
 Condition Flat Bumpy Mixed
 Surface Clay Long Astro Carpet
 Grass Short Astro Mixed
 Weather

TYRES

	FRONT	REAR
Tyres	<input type="text"/>	<input type="text"/>
Wheels	<input type="text"/>	<input type="text"/>
Inserts	<input type="text"/>	<input type="text"/>

Notes:

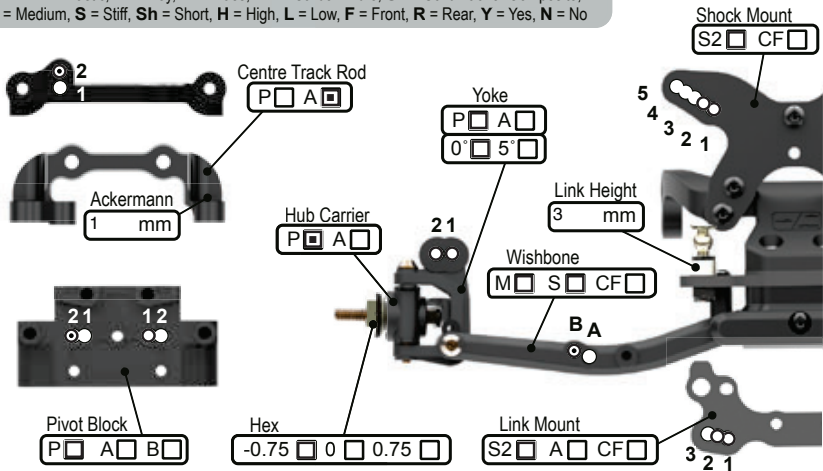
Notes:

FRONT SUSPENSION

KEY: P = Plastic, A = Alloy, B = Brass, CF = Carbon Fibre, S2 = Schumacher Composite, M = Medium, S = Stiff, Sh = Short, H = High, L = Low, F = Front, R = Rear, Y = Yes, N = No

Ride Height mm
 Wheelbase +1.5 +3.0 +4.5
 Toe deg In Out
 Camber at Ride Height deg
 Anti Roll Bar 1.0 1.1 1.2
 Front Wing Y N
 Hub Height M L
 Bump Steer Washers mm
 Pivot Block Height H M L

Notes:

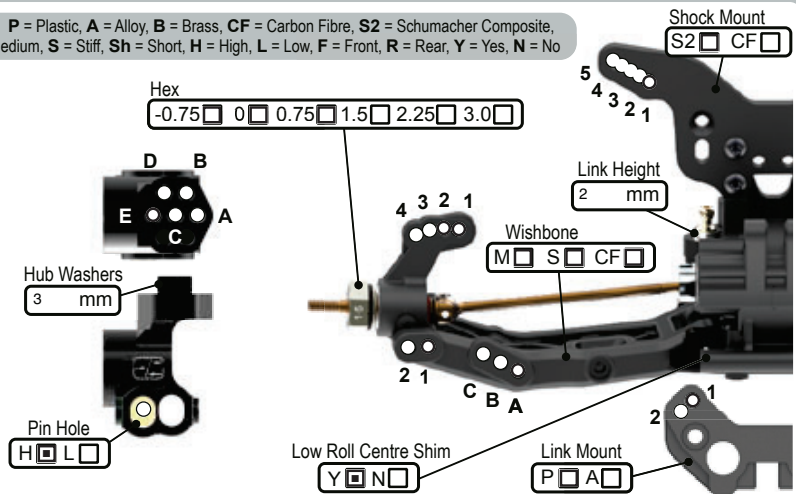


REAR SUSPENSION

KEY: P = Plastic, A = Alloy, B = Brass, CF = Carbon Fibre, S2 = Schumacher Composite, M = Medium, S = Stiff, Sh = Short, H = High, L = Low, F = Front, R = Rear, Y = Yes, N = No

Ride Height mm
 Wheelbase Sh M L
 Anti-Squat 2 3 4
 Toe 3.5 3 2.5 2 1.5 1.0 0.5
 Camber at Ride Height deg
 Anti Roll Bar 1.1 1.2 1.3 1.4
 Wing Gurney Height mm
 Rearward Shock Position Only A B
 Driveshaft Type CVD U/J

Notes:



TRANSMISSION

Diff Height H M L
 Diff Oil cSt
 Diff Type B 2g 4g
 Motor
 Rotor Dia. mm
 Timing deg
 Pinion t
 Spur t
 Motor Plate A CF
 Lock Out Y N
 Slipper Plates 2 3

CHASSIS

Chassis A C/F
 Side Pods S C/F
 Chassis Insert +5mm
 LiPo Position 1 2 3 4 5 6 7 8
 X Brace Y N
 Running Weight g
 Radio Tray 1 2 3
 Notes:

EQUIPMENT

E.S.C.
 Servo
 RX
 LiPo
 Bodyshell

WEIGHTS

Chassis F R
 Rear Strap F R
 Radio Tray Y N
 Under LiPo Y N

SHOCKS

KEY: i = Internal, e = External, V = Vented, S = Sealed, A = Aeration

	FRONT	REAR
Cap	<input type="checkbox"/> V <input type="checkbox"/> S <input type="checkbox"/> A <input type="checkbox"/>	<input type="checkbox"/> V <input type="checkbox"/> S <input type="checkbox"/> A <input type="checkbox"/>
Body	<input type="text" value="kit"/>	<input type="text" value="kit"/>
Oil	475 cSt	425 cSt
Piston	2x1.6+1.0	2x1.8
Spring	yellow lb/in	blue lb/in
Limiters (i)	0 mm	2 mm
Stroke	20.50 mm	27.50 mm
Limiters (e)	2 mm	0 mm

Notes:

