

SET UP SHEET



Driver: Paul Timberlake Date: 11/07/21 Event/Track: Stotfold (UK)
 Qualify: 5th Final: 4th Best Lap:

TRACK TYPE

Grip Level High Medium Low
 Type Tight Open Mixed
 Condition Flat Bumpy Mixed
 Surface Clay Long Astro Carpet
 Grass Short Astro Mixed
 Weather Drying

TYRES

	FRONT	REAR
Tyres	Cut Stagger	Mezzo Yellow
Wheels	Kit	Kit
Inserts	none	Cragg Blue

Notes:

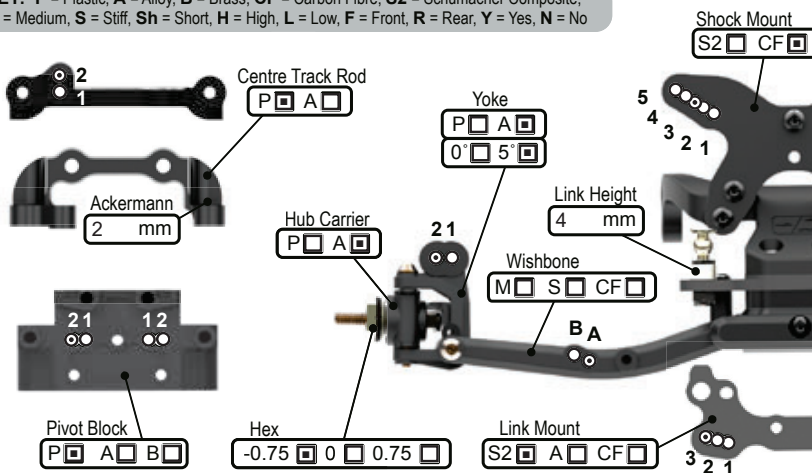
Notes:
 Speedo in Blinky mode
 85% throttle HP

FRONT SUSPENSION

KEY: P = Plastic, A = Alloy, B = Brass, CF = Carbon Fibre, S2 = Schumacher Composite, M = Medium, S = Stiff, Sh = Short, H = High, L = Low, F = Front, R = Rear, Y = Yes, N = No

Ride Height 17 mm
 Wheelbase 0 +1.5 +3.0 +4.5
 Toe 1.0 deg In Out
 Camber at Ride Height 1.5 deg
 Anti Roll Bar 0.9 1.0 1.1 1.2
 Front Wing Y N
 Hub Height H M L
 Bump Steer Washers 2 mm
 Pivot Block Height H M L

Notes:
 Low front bulkhead height.

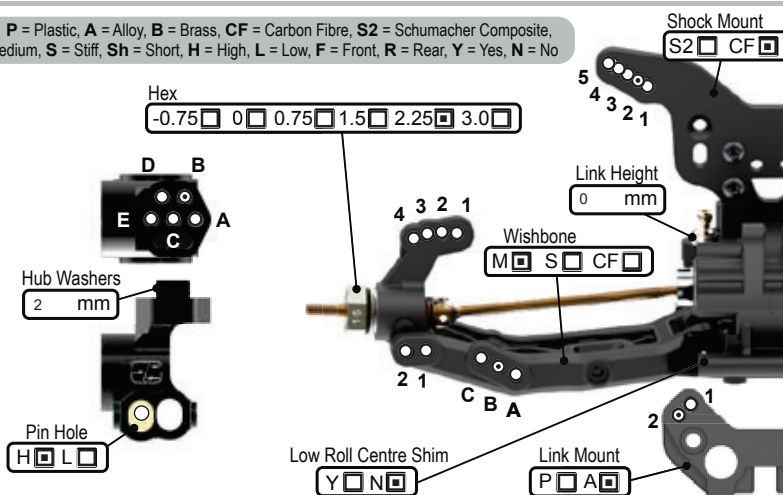


REAR SUSPENSION

KEY: P = Plastic, A = Alloy, B = Brass, CF = Carbon Fibre, S2 = Schumacher Composite, M = Medium, S = Stiff, Sh = Short, H = High, L = Low, F = Front, R = Rear, Y = Yes, N = No

Ride Height 17 mm
 Wheelbase Sh M L
 Anti-Squat 1° 2° 3° 4°
 Toe 4° 3.5° 3° 2.5° 2° 1.5° 1.0° 0.5°
 Camber at Ride Height 1.5 deg
 Anti Roll Bar 1.0 1.1 1.2 1.3 1.4
 Wing Gurney Height 0 mm
 Rearward Shock Position Only A B
 Driveshaft Type CVD U/J

Notes:



TRANSMISSION

Diff Height H M L
 Diff Oil 10k cSt
 Diff Type B 2g 4g
 Motor LRP 7T
 Rotor Dia. 12.5 mm
 Timing -5 deg
 Pinion 23 t
 Spur 76 t
 Motor Plate A CF
 Lock Out Y N
 Slipper Plates 2 3

CHASSIS

Chassis A C/F
 Side Pods S C/F
 Chassis Insert 0mm +5mm
 LiPo Position 1 2 3 4 5 6 7 8
 X Brace Y N
 Running Weight 9
 Radio Tray 1 2 3
 Notes:

EQUIPMENT

E.S.C. LRP
 Servo KO
 RX Sanwa
 LiPo LRP
 Bodyshell Lightweight

WEIGHTS

Chassis F R
 Rear Strap F R
 Radio Tray Y N
 Under LiPo Y N

SHOCKS

KEY: i = Internal, e = External, V = Vented, S = Sealed, A = Aeration

	FRONT	REAR
Cap	V <input type="checkbox"/> S <input type="checkbox"/> A <input type="checkbox"/>	V <input type="checkbox"/> S <input type="checkbox"/> A <input type="checkbox"/>
Body	Kashima	Kashima
Oil	550 cSt	400 cSt
Piston	kit	2hole 2.1
Spring	Black lb/in	Green lb/in
Limiters (i)	0 mm	0 mm
Stroke	mm	mm
Limiters (e)	0 mm	1 o ring mm

Notes:

