

SET UP SHEET



Driver: Michal Orlowski Date: September 2021 Event/Track: SOOM round 5 RHR
 Qualify: 1st Final: 1st Best Lap:

TRACK TYPE

Grip Level High Medium Low
 Type Tight Open Mixed
 Condition Flat Bumpy Mixed
 Surface Clay Long Astro Carpet
 Grass Short Astro Mixed
 Weather Dry

TYRES

	FRONT	REAR
Tyres	U6770	U6835
Wheels	U4661	U4366
Inserts	-	U6734

Notes:

Notes:

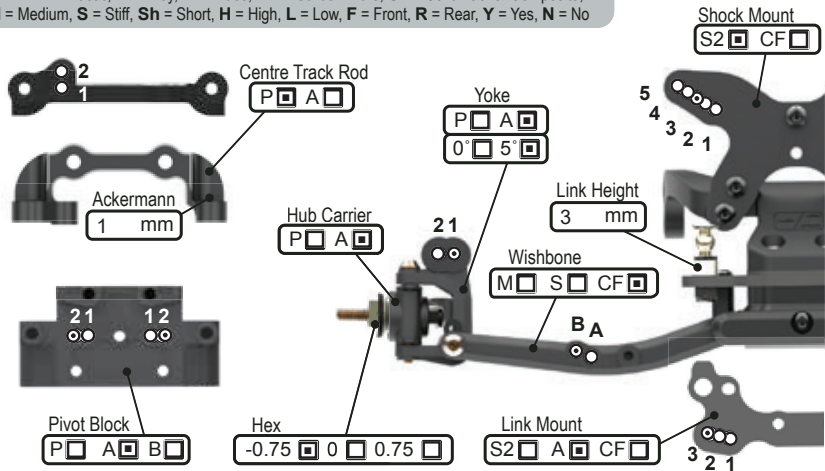
Montech Stealth High Grip body shell

FRONT SUSPENSION

KEY: P = Plastic, A = Alloy, B = Brass, CF = Carbon Fibre, S2 = Schumacher Composite, M = Medium, S = Stiff, Sh = Short, H = High, L = Low, F = Front, R = Rear, Y = Yes, N = No

Ride Height 16 mm
 Wheelbase 0 +1.5 +3.0 +4.5
 Toe 1 deg In Out
 Camber at Ride Height -1 deg
 Anti Roll Bar 0.9 1.0 1.1 1.2
 Front Wing Y N
 Hub Height H M L
 Bump Steer Washers 2 mm
 Pivot Block Height H M L

Notes:



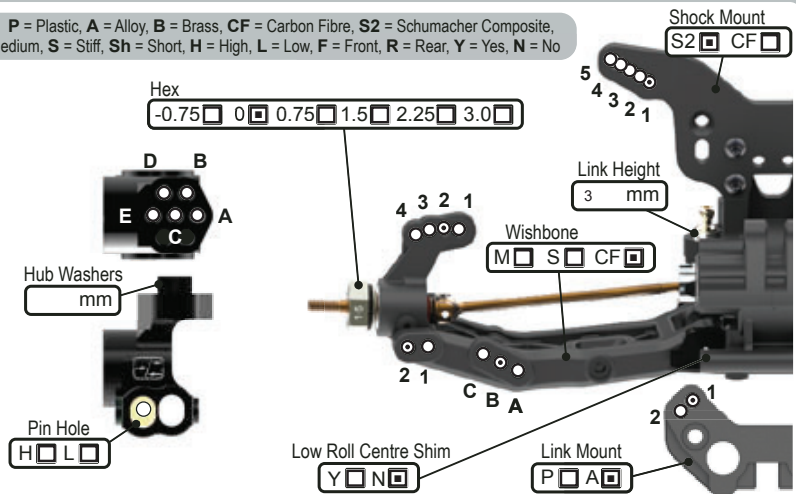
REAR SUSPENSION

KEY: P = Plastic, A = Alloy, B = Brass, CF = Carbon Fibre, S2 = Schumacher Composite, M = Medium, S = Stiff, Sh = Short, H = High, L = Low, F = Front, R = Rear, Y = Yes, N = No

Ride Height 16 mm
 Wheelbase Sh M L
 Anti-Squat 1° 2° 3° 4°
 Toe 4° 3.5° 3° 2.5° 2° 1.5° 1.0° 0.5°
 Camber at Ride Height -1 deg
 Anti Roll Bar 1.0 1.1 1.2 1.3 1.4
 Wing Gurney Height mm
 Rearward Shock Position Only A B
 Driveshaft Type CVD U/J

Notes:

1 outside row cut off the rear tyres



TRANSMISSION

Diff Height H M L
 Diff Oil 12k cSt
 Diff Type B 2g 4g
 Motor LRP X22 5.5t
 Rotor Dia. 12.5 mm
 Timing 19.5 deg
 Pinion 22 t
 Spur 80 t
 Motor Plate A CF
 Lock Out Y N
 Slipper Plates 2 3

CHASSIS

Chassis A C/F
 Side Pods S C/F
 Chassis Insert 0mm +5mm
 LiPo Position 1 2 3 4 5 6 7 8
 X Brace Y N
 Running Weight 1500 g
 Radio Tray 1 2 3
 Notes:
 30g under LiPo

EQUIPMENT

E.S.C. LRP FLOW X
 Servo PowerHD S15
 RX Sanwa RX-493
 LiPo LRP G3 3500mAh
 Bodysell Montech Stealth

WEIGHTS

Chassis F R
 Rear Strap F R
 Radio Tray Y N
 Under LiPo Y N

SHOCKS

KEY: i = Internal, e = External, V = Vented, S = Sealed, A = Aeration

	FRONT	REAR
Cap	V <input type="checkbox"/> S <input type="checkbox"/> A <input type="checkbox"/>	V <input type="checkbox"/> S <input type="checkbox"/> A <input type="checkbox"/>
Body	Kashima	Kashima
Oil	550 cSt	400 cSt
Piston	3x1.5	2x2.1
Spring	Orange lb/in	Green HR lb/in
Limiters (i)	0 mm	0 mm
Stroke	22.2 mm	28.5 mm
Limiters (e)	0 mm	0 mm

Notes:

3mm rear shock stand off

