

SET UP SHEET



Driver: Michal Orlowski

Date: October 2021

Event/Track: Junction16

Qualify: 1st

Final: 1st

Best Lap:

TRACK TYPE

Grip Level High Medium Low

Type Tight Open Mixed

Condition Flat Bumpy Mixed

Surface Clay Long Astro Carpet
 Grass Short Astro Mixed

Weather

TYRES

	FRONT	REAR
Tyres	U6770	U6839
Wheels	U4661	U4366
Inserts	-	U6734

Notes:
rear inside and outside rows cut

Notes:

FRONT SUSPENSION

KEY: P = Plastic, A = Alloy, B = Brass, CF = Carbon Fibre, S2 = Schumacher Composite, M = Medium, S = Stiff, Sh = Short, H = High, L = Low, F = Front, R = Rear, Y = Yes, N = No

Ride Height mm

Wheelbase +1.5 +3.0 +4.5

Toe deg In Out

Camber at Ride Height deg

Anti Roll Bar 1.0 1.1 1.2

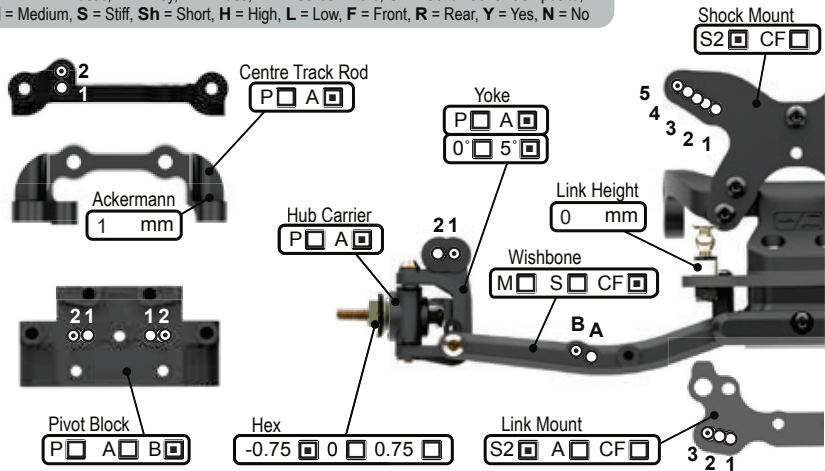
Front Wing Y N

Hub Height H M L

Bump Steer Washers mm

Pivot Block Height H M L

Notes:



REAR SUSPENSION

KEY: P = Plastic, A = Alloy, B = Brass, CF = Carbon Fibre, S2 = Schumacher Composite, M = Medium, S = Stiff, Sh = Short, H = High, L = Low, F = Front, R = Rear, Y = Yes, N = No

Ride Height mm

Wheelbase Sh M L

Anti-Squat 2° 3° 4°

Toe 3.5° 3° 2.5° 2° 1.5° 1.0° 0.5°

Camber at Ride Height deg

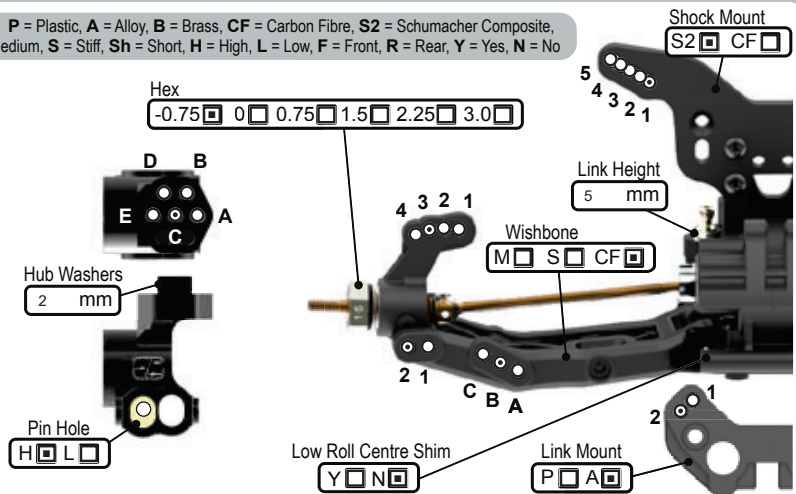
Anti Roll Bar 1.1 1.2 1.3 1.4

Wing Gurney Height mm

Rearward Shock Position Only A B

Driveshaft Type CVD U/J

Notes:



TRANSMISSION

Diff Height H M L

Diff Oil cSt

Diff Type B 2g 4g

Motor

Rotor Dia. mm

Timing deg

Pinion t

Spur t

Motor Plate A CF

Lock Out Y N

Slipper Plates 2 3

CHASSIS

Chassis A C/F

Side Pods S C/F

Chassis Insert +5mm

LiPo Position 1 2 3 4 5 6 7 8

X Brace Y N

Running Weight g

Radio Tray 1 2 3

Notes:

EQUIPMENT

E.S.C.

Servo

RX

LiPo

Bodyshell

WEIGHTS

Chassis F R

Rear Strap F R

Radio Tray Y N

Under LiPo Y N

SHOCKS

KEY: i = Internal, e = External, V = Vented, S = Sealed, A = Aeration

	FRONT	REAR
Cap	<input type="checkbox"/> V <input type="checkbox"/> S <input type="checkbox"/> A <input type="checkbox"/>	<input type="checkbox"/> V <input type="checkbox"/> S <input type="checkbox"/> A <input type="checkbox"/>
Body	KASHIMA	KASHIMA
Oil	550 cSt	400 cSt
Piston	3x1.5mm	3x1.6mm
Spring	black lb/in	black hr lb/in
Limiters (i)	0 mm	0 mm
Stroke	20.5 mm	27.8 mm
Limiters (e)	0 mm	0 mm

Notes:

