

# SET UP SHEET



Driver: Michal Orlowski Date: November 2021 Event/Track: Florida Carpet Championships  
 Qualify: 3rd Final: 5th Best Lap:

## TRACK TYPE

Grip Level  High  Medium  Low   
 Type  Tight  Open  Mixed   
 Condition  Flat  Bumpy  Mixed   
 Surface  Clay  Long Astro  Carpet   
 Grass  Short Astro  Mixed   
 Weather 25°C

## TYRES

	FRONT	REAR
Tyres	Schumacher	Schumacher Cactus
Wheels	Schumacher	Schumacher
Inserts	-	Schumacher

Notes:  
rear inside and outside rows cut

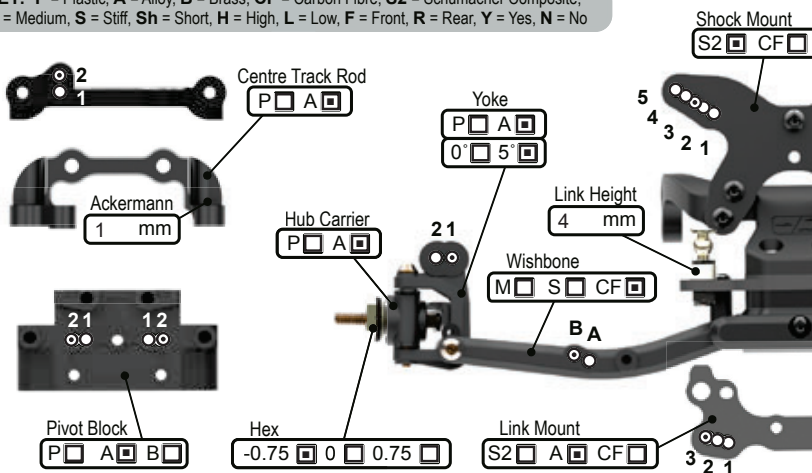
Notes:

## FRONT SUSPENSION

KEY: P = Plastic, A = Alloy, B = Brass, CF = Carbon Fibre, S2 = Schumacher Composite, M = Medium, S = Stiff, Sh = Short, H = High, L = Low, F = Front, R = Rear, Y = Yes, N = No

Ride Height 13 mm  
 Wheelbase 0  +1.5  +3.0  +4.5   
 Toe 1 deg In  Out   
 Camber at Ride Height -0.5 deg  
 Anti Roll Bar 0.9  1.0  1.1  1.2   
 Front Wing Y  N   
 Hub Height H  M  L   
 Bump Steer Washers 2 mm  
 Pivot Block Height H  M  L

Notes:

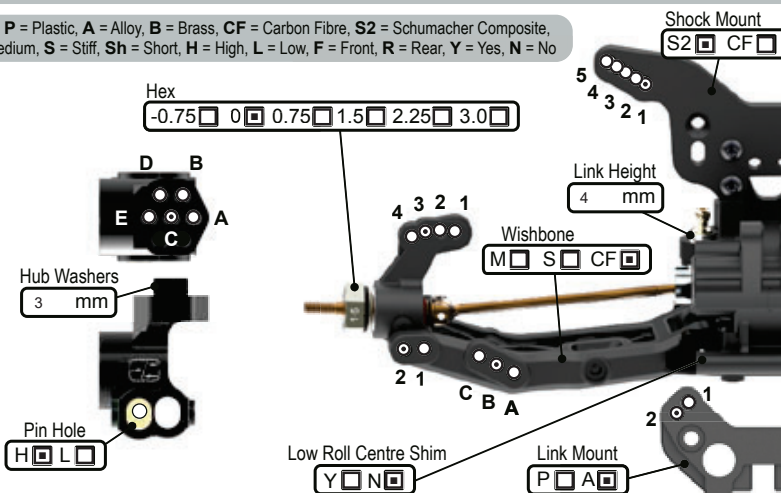


## REAR SUSPENSION

KEY: P = Plastic, A = Alloy, B = Brass, CF = Carbon Fibre, S2 = Schumacher Composite, M = Medium, S = Stiff, Sh = Short, H = High, L = Low, F = Front, R = Rear, Y = Yes, N = No

Ride Height 13 mm  
 Wheelbase Sh  M  L   
 Anti-Squat 1°  2°  3°  4°   
 Toe 4°  3.5°  3°  2.5°  2°  1.5°  1.0°  0.5°   
 Camber at Ride Height -0.5 deg  
 Anti Roll Bar 1.0  1.1  1.2  1.3  1.4   
 Wing Gurney Height mm  
 Rearward Shock Position Only A  B   
 Driveshaft Type CVD  U/J

Notes:



## TRANSMISSION

Diff Height H  M  L   
 Diff Oil 12k cSt  
 Diff Type B  2g  4g   
 Motor LRP X22 5.0t  
 Rotor Dia. 12.7 mm  
 Timing 19.5 deg  
 Pinion 19 t  
 Spur 80 t  
 Motor Plate A  CF   
 Lock Out Y  N   
 Slipper Plates 2  3

## CHASSIS

Chassis A  C/F   
 Side Pods S  C/F   
 Chassis Insert 0mm  +5mm   
 LiPo Position 1  2  3  4  5  6  7  8   
 X Brace Y  N   
 Running Weight 1490 g  
 Radio Tray 1  2  3   
 Notes:

## EQUIPMENT

E.S.C. LRP FLOW X  
 Servo POWERHDS15  
 RX SANWARX-493  
 LiPo LRP G4 4000mAh  
 Bodyshell Montech Stealth

## WEIGHTS

Chassis F  R   
 Rear Strap F  R   
 Radio Tray Y  N   
 Under LiPo Y  N

## SHOCKS

KEY: i = Internal, e = External, V = Vented, S = Sealed, A = Aeration

	FRONT	REAR
Cap	V <input type="checkbox"/> S <input type="checkbox"/> A <input type="checkbox"/>	V <input type="checkbox"/> S <input type="checkbox"/> A <input type="checkbox"/>
Body	KASHIMA	KASHIMA
Oil	600 cSt	450 cSt
Piston	3x1.5mm	3x1.6mm
Spring	orange lb/in	black hr lb/in
Limiters (i)	0 mm	0 mm
Stroke	20.5 mm	27.8 mm
Limiters (e)	0 mm	0 mm

Notes:

