

SET UP SHEET



Driver: Michal Orlowski Date: December 2021 Event/Track: Race Stars Contest

Qualify: 1st Final: 1st Best Lap: 21.007

TRACK TYPE

Grip Level High Medium Low

Type Tight Open Mixed

Condition Flat Bumpy Mixed

Surface Clay Long Astro Carpet
 Grass Short Astro Mixed

Weather 20°C

TYRES

	FRONT	REAR
Tyres	U6770	U6839
Wheels	U4661	U4366
Inserts	-	U6734

Notes:
rear inside and outside rows cut

Notes:

FRONT SUSPENSION

KEY: P = Plastic, A = Alloy, B = Brass, CF = Carbon Fibre, S2 = Schumacher Composite, M = Medium, S = Stiff, Sh = Short, H = High, L = Low, F = Front, R = Rear, Y = Yes, N = No

Ride Height 14 mm

Wheelbase 0 +1.5 +3.0 +4.5

Toe 1 deg In Out

Camber at Ride Height -1.5 deg

Anti Roll Bar 0.9 1.0 1.1 1.2

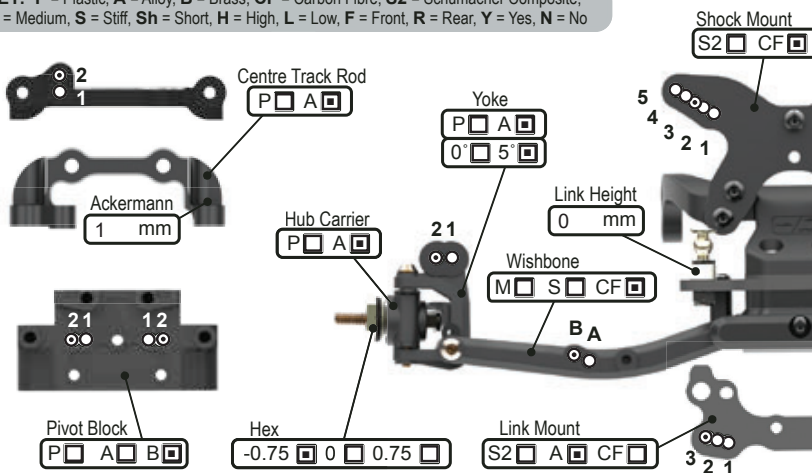
Front Wing Y N

Hub Height H M L

Bump Steer Washers 4 mm

Pivot Block Height H M L

Notes:



REAR SUSPENSION

KEY: P = Plastic, A = Alloy, B = Brass, CF = Carbon Fibre, S2 = Schumacher Composite, M = Medium, S = Stiff, Sh = Short, H = High, L = Low, F = Front, R = Rear, Y = Yes, N = No

Ride Height 14 mm

Wheelbase Sh M L

Anti-Squat 1° 2° 3° 4°

Toe 4° 3.5° 3° 2.5° 2° 1.5° 1.0° 0.5°

Camber at Ride Height -0.5 deg

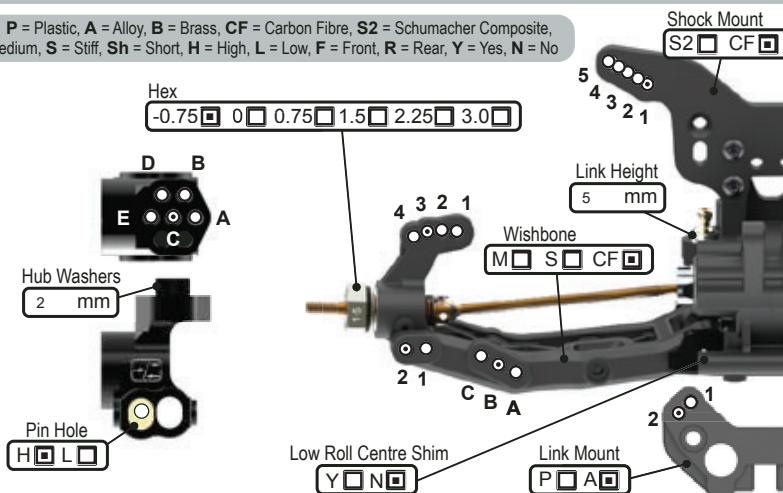
Anti Roll Bar 1.0 1.1 1.2 1.3 1.4

Wing Gurney Height mm

Rearward Shock Position Only A B

Driveshaft Type CVD U/J

Notes:



TRANSMISSION

Diff Height H M L

Diff Oil 7k cSt

Diff Type B 2g 4g

Motor

Rotor Dia. mm

Timing deg

Pinion 20 t

Spur 80 t

Motor Plate A CF

Lock Out Y N

Slipper Plates 2 3

CHASSIS

Chassis A C/F

Side Pods S C/F

Chassis Insert 0mm +5mm

LiPo Position 1 2 3 4 5 6 7 8

X Brace Y N

Running Weight 1497 g

Radio Tray 1 2 3

Notes:

EQUIPMENT

E.S.C.

Servo POWERHDS15

RX SANWARX-493

LiPo

Bodyshell JC S2

WEIGHTS

Chassis F R

Rear Strap F R

Radio Tray Y N

Under LiPo Y N

SHOCKS

KEY: i = Internal, e = External, V = Vented, S = Sealed, A = Aeration

	FRONT	REAR
Cap	<input type="checkbox"/> V <input type="checkbox"/> S <input type="checkbox"/> A	<input type="checkbox"/> V <input type="checkbox"/> S <input type="checkbox"/> A
Body	KASHIMA	KASHIMA
Oil	550 cSt	400 cSt
Piston	3x1.5mm	3x1.6mm
Spring	orange lb/in	black hr lb/in
Limiters (i)	0 mm	0 mm
Stroke	20.5 mm	27.8 mm
Limiters (e)	0 mm	0 mm

Notes:

