

SET UP SHEET



Driver: Jörn Neumann Date: 4-5 September Event/Track: ASC Potsdam German Nationals
 Qualify: 1st Final: 1st Best Lap: 24.5

TRACK TYPE

Grip Level High Medium Low

Type Tight Open Mixed

Condition Flat Bumpy Mixed

Surface Clay Long Astro Carpet
 Grass Short Astro Mixed

Weather 20 dry

TYRES

	FRONT	REAR
Tyres	Stagger Low Profile	Mini Dart
Wheels	Schumacher	Schumacher
Inserts		Schumacher

Notes:

Notes:

FRONT SUSPENSION

KEY: P = Plastic, A = Alloy, B = Brass, CF = Carbon Fibre, S2 = Schumacher Composite, M = Medium, S = Stiff, Sh = Short, H = High, L = Low, F = Front, R = Rear, Y = Yes, N = No

Ride Height 16.5 mm

Wheelbase 0 +1.5 +3.0 +4.5

Toe 0 deg In Out

Camber at Ride Height 1.5 deg

Anti Roll Bar 0.9 1.0 1.1 1.2

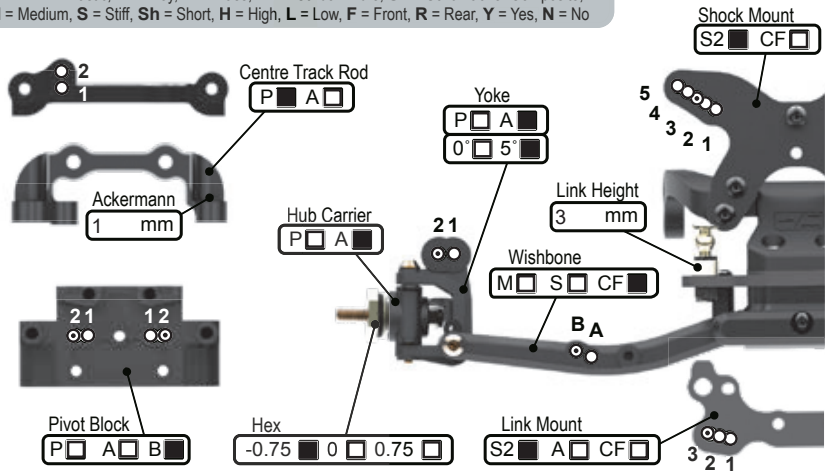
Front Wing Y N

Hub Height H M L

Bump Steer Washers 2 mm

Pivot Block Height H M L

Notes:



REAR SUSPENSION

KEY: P = Plastic, A = Alloy, B = Brass, CF = Carbon Fibre, S2 = Schumacher Composite, M = Medium, S = Stiff, Sh = Short, H = High, L = Low, F = Front, R = Rear, Y = Yes, N = No

Ride Height 16.5 mm

Wheelbase Sh M L

Anti-Squat 1° 2° 3° 4°

Toe 4° 3.5° 3° 2.5° 2° 1.5° 1.0° 0.5°

Camber at Ride Height 1.5 deg

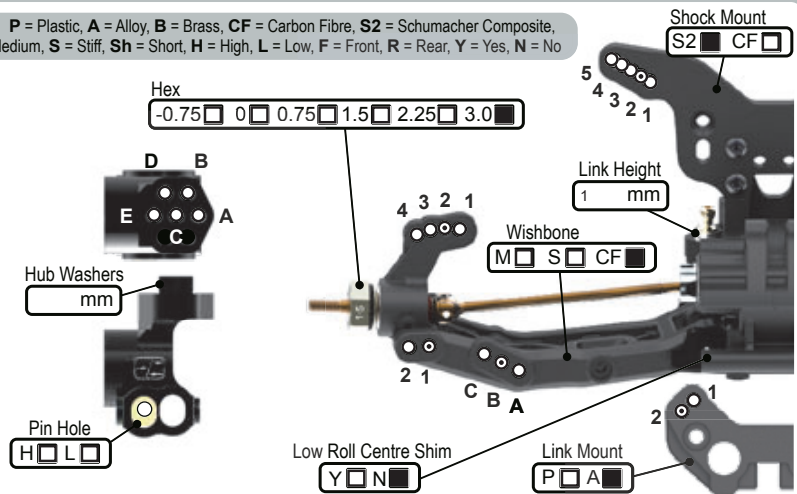
Anti Roll Bar 1.0 1.1 1.2 1.3 1.4

Wing Gurney Height 10 mm

Rearward Shock Position Only A B

Driveshaft Type CVD U/J

Notes:



TRANSMISSION

Diff Height H M L

Diff Oil 7K cSt

Diff Type B 2g 4g

Motor Maclan 6.5T

Rotor Dia. 12.5 mm

Timing 30 deg

Pinion 20 t

Spur 80 t

Motor Plate A CF

Lock Out Y N

Slipper Plates 2 3

CHASSIS

Chassis A C/F

Side Pods S C/F

Chassis Insert 0mm +5mm

LiPo Position 1 2 3 4 5 6 7 8

X Brace Y N

Running Weight 9

Radio Tray 1 2 3

Notes:

EQUIPMENT

E.S.C. Maclan

Servo Highest

RX Sanwa

LiPo Gens Ace 4000

Bodyshell Dart

WEIGHTS

Chassis F R

Rear Strap F R

Radio Tray Y N

Under LiPo Y N

SHOCKS

KEY: i = Internal, e = External, V = Vented, S = Sealed, A = Aeration

	FRONT	REAR
Cap	<input type="checkbox"/> V <input type="checkbox"/> S <input type="checkbox"/> A <input type="checkbox"/>	<input type="checkbox"/> V <input type="checkbox"/> S <input type="checkbox"/> A <input type="checkbox"/>
Body	Kashima	Kashima
Oil	550 cSt	350 cSt
Piston	3x1.5mm	2x2.1mm
Spring	orange lb/in	red lb/in
Limiters (i)	0 mm	0 mm
Stroke	22.1 mm	28.5 mm
Limiters (e)	0 mm	0 mm

Notes:

