

SET UP SHEET



Driver: Jörn Neumann Date: 7-9.01.2022 Event/Track: Kögenger Indoor Masters
 Qualify: Final: 2nd Best Lap:

TRACK TYPE

Grip Level High Medium Low
 Type Tight Open Mixed
 Condition Flat Bumpy Mixed
 Surface Clay Long Astro Carpet
 Grass Short Astro Mixed
 Weather

TYRES

	FRONT	REAR
Tyres	Stagger Low Profile	Cactus
Wheels	Schumacher	Schumacher
Inserts		Schumacher

Notes:

Notes:

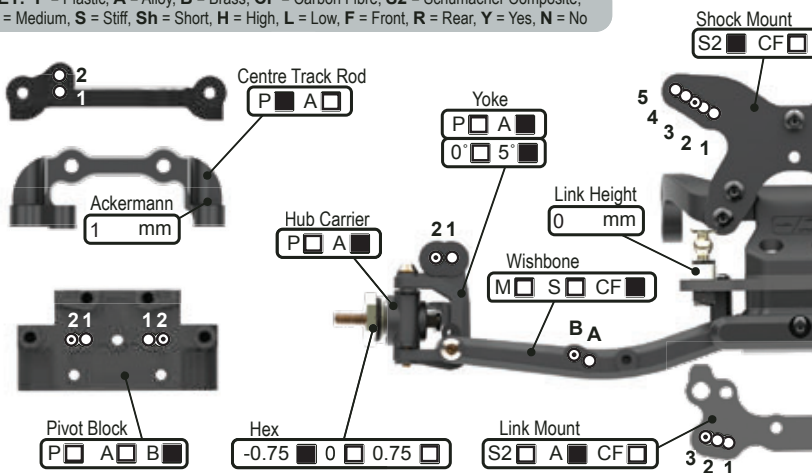
Cut inside and outside pins of the rear tires

FRONT SUSPENSION

KEY: P = Plastic, A = Alloy, B = Brass, CF = Carbon Fibre, S2 = Schumacher Composite, M = Medium, S = Stiff, Sh = Short, H = High, L = Low, F = Front, R = Rear, Y = Yes, N = No

Ride Height 14 mm
 Wheelbase 0 +1.5 +3.0 +4.5
 Toe 0 deg In Out
 Camber at Ride Height 1.5 deg
 Anti Roll Bar 0.9 1.0 1.1 1.2
 Front Wing Y N
 Hub Height H M L
 Bump Steer Washers 2 mm
 Pivot Block Height H M L

Notes:

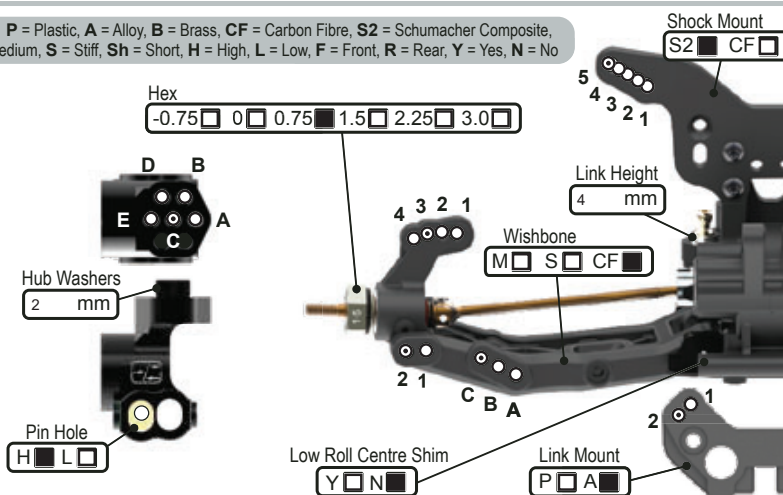


REAR SUSPENSION

KEY: P = Plastic, A = Alloy, B = Brass, CF = Carbon Fibre, S2 = Schumacher Composite, M = Medium, S = Stiff, Sh = Short, H = High, L = Low, F = Front, R = Rear, Y = Yes, N = No

Ride Height 14 mm
 Wheelbase Sh M L
 Anti-Squat 1° 2° 3° 4°
 Toe 4° 3.5° 3° 2.5° 2° 1.5° 1.0° 0.5°
 Camber at Ride Height 1 deg
 Anti Roll Bar 1.0 1.1 1.2 1.3 1.4
 Wing Gurney Height mm
 Rearward Shock Position Only A B
 Driveshaft Type CVD U/J

Notes:



TRANSMISSION

Diff Height H M L
 Diff Oil 7K cSt
 Diff Type B 2g 4g
 Motor Maclan 5.5T
 Rotor Dia. 12.5 mm
 Timing 26 deg
 Pinion 21 t
 Spur 80 t
 Motor Plate A CF
 Lock Out Y N
 Slipper Plates 2 3

CHASSIS

Chassis A C/F
 Side Pods S C/F
 Chassis Insert 0mm +5mm
 LiPo Position 1 2 3 4 5 6 7 8
 X Brace Y N
 Running Weight 9
 Radio Tray 1 2 3
 Notes:

EQUIPMENT

E.S.C. Maclan
 Servo Highest BLP650
 RX Sanwa
 LiPo Gens Ace 5100
 Bodysell Montech

WEIGHTS

Chassis F R
 Rear Strap F R
 Radio Tray Y N
 Under LiPo Y N

SHOCKS

KEY: i = Internal, e = External, V = Vented, S = Sealed, A = Aeration

	FRONT	REAR
Cap	V S A	V S A
Body	Kashima	Kashima
Oil	550 cSt	450 cSt
Piston	3x1.5mm	3x1.7mm
Spring	yellow lb/in	blue HR lb/in
Limiters (i)	0 mm	0 mm
Stroke	20.5 mm	28.0 mm
Limiters (e)	1 mm	0 mm

Notes:

