

# SET UP SHEET



Driver: Jörn Neumann Date: 1-3.04.2022 Event/Track: EOS Göttingen  
 Qualify: 2 Final: 4 Best Lap:

## TRACK TYPE

Grip Level  High  Medium  Low

Type  Tight  Open  Mixed

Condition  Flat  Bumpy  Mixed

Surface  Clay  Long Astro  Carpet   
 Grass  Short Astro  Mixed

Weather 15 degrees

## TYRES

	FRONT	REAR
Tyres	Stagger Low Profile	Mini Dart
Wheels	Schumacher	Schumacher
Inserts		Schumacher

Notes:

Notes:

## FRONT SUSPENSION

KEY: P = Plastic, A = Alloy, B = Brass, CF = Carbon Fibre, S2 = Schumacher Composite, M = Medium, S = Stiff, Sh = Short, H = High, L = Low, F = Front, R = Rear, Y = Yes, N = No

Ride Height 18 mm

Wheelbase 0  +1.5  +3.0  +4.5

Toe 0 deg In  Out

Camber at Ride Height 1.5 deg

Anti Roll Bar 0.9  1.0  1.1  1.2

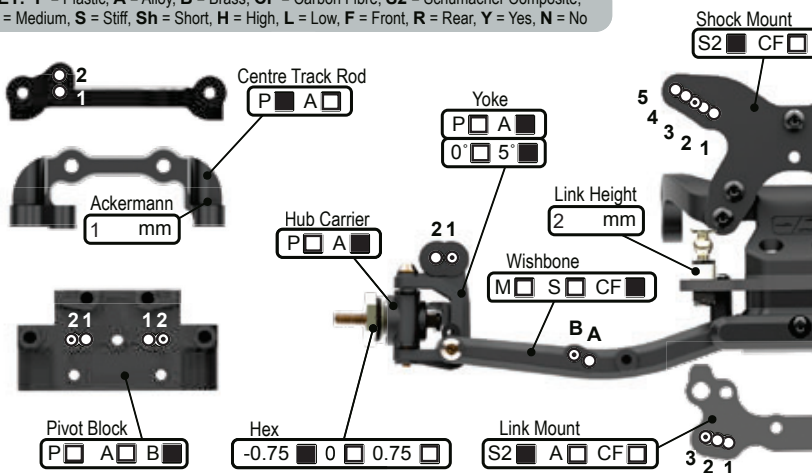
Front Wing Y  N

Hub Height H  M  L

Bump Steer Washers 2 mm

Pivot Block Height H  M  L

Notes:



## REAR SUSPENSION

KEY: P = Plastic, A = Alloy, B = Brass, CF = Carbon Fibre, S2 = Schumacher Composite, M = Medium, S = Stiff, Sh = Short, H = High, L = Low, F = Front, R = Rear, Y = Yes, N = No

Ride Height 18 mm

Wheelbase Sh  M  L

Anti-Squat 1°  2°  3°  4°

Toe 4°  3.5°  3°  2.5°  2°  1.5°  1.0°  0.5°

Camber at Ride Height 1.5 deg

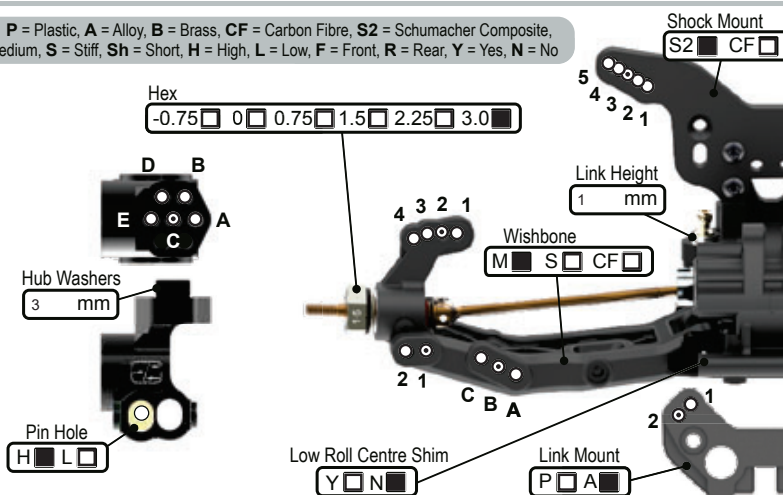
Anti Roll Bar 1.0  1.1  1.2  1.3  1.4

Wing Gurney Height mm

Rearward Shock Position Only A  B

Driveshaft Type CVD  U/J

Notes:



## TRANSMISSION

Diff Height H  M  L

Diff Oil 7K cSt

Diff Type B  2g  4g

Motor Maclan 6.5T

Rotor Dia. 12.5 mm

Timing 30 deg

Pinion 21 t

Spur 76 t

Motor Plate A  CF

Lock Out Y  N

Slipper Plates 2  3

## CHASSIS

Chassis A  C/F

Side Pods S  C/F

Chassis Insert 0mm  +5mm

LiPo Position 1  2  3  4  5  6  7  8

X Brace Y  N

Running Weight 9

Radio Tray 1  2  3

Notes:

## EQUIPMENT

E.S.C. Maclan

Servo Highest

RX Sanwa

LiPo Gens Ace 4000

Bodyshell JC

## WEIGHTS

Chassis F  R

Rear Strap F  R

Radio Tray Y  N

Under LiPo Y  N

## SHOCKS

KEY: i = Internal, e = External, V = Vented, S = Sealed, A = Aeration

	FRONT	REAR
Cap	V <input type="checkbox"/> S <input type="checkbox"/> A <input type="checkbox"/>	V <input type="checkbox"/> S <input type="checkbox"/> A <input type="checkbox"/>
Body	Kashima	Kashima
Oil	500 cSt	350 cSt
Piston	3x1.5mm	3x1.6
Spring	orange lb/in	red lb/in
Limiters (i)	0 mm	0 mm
Stroke	22.1 mm	28.5 mm
Limiters (e)	0 mm	0 mm

Notes:

