

SET UP SHEET



Driver: Jörn Neumann Date: 1-6.03.2022 Event/Track: Hobby Action
 Qualify: Final: Best Lap:

TRACK TYPE

Grip Level High Medium Low
 Type Tight Open Mixed
 Condition Flat Bumpy Mixed
 Surface Clay Long Astro Carpet
 Grass Short Astro Mixed
 Weather

TYRES

	FRONT	REAR
Tyres	JC Smoothies 2	JC Smoothies 2
Wheels	Schumacher	Schumacher
Inserts	JC	JC

Notes:

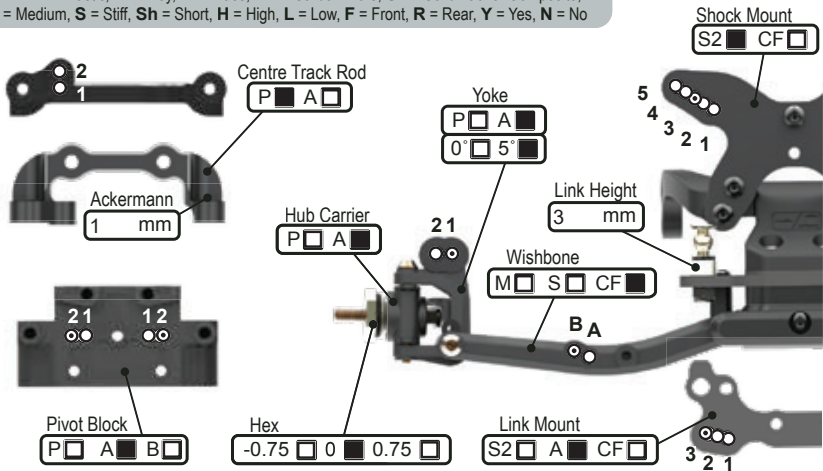
Notes:

FRONT SUSPENSION

KEY: P = Plastic, A = Alloy, B = Brass, CF = Carbon Fibre, S2 = Schumacher Composite, M = Medium, S = Stiff, Sh = Short, H = High, L = Low, F = Front, R = Rear, Y = Yes, N = No

Ride Height mm
 Wheelbase +1.5 +3.0 +4.5
 Toe deg In Out
 Camber at Ride Height deg
 Anti Roll Bar 1.0 1.1 1.2
 Front Wing Y N
 Hub Height H M L
 Bump Steer Washers mm
 Pivot Block Height H M L

Notes:

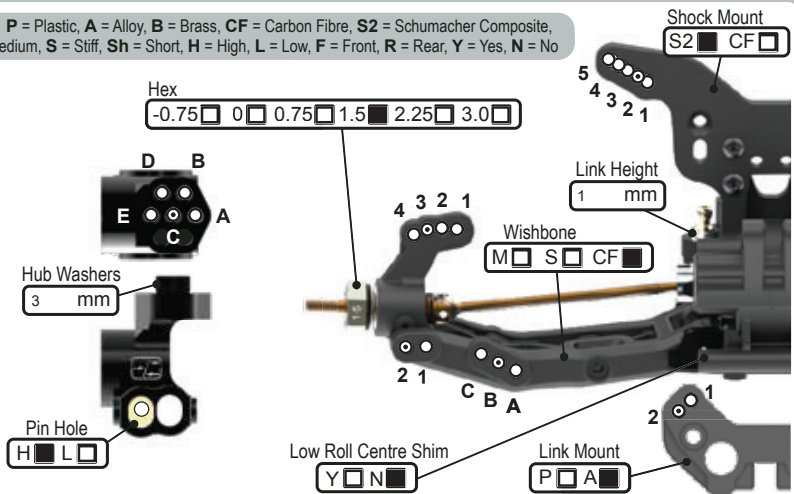


REAR SUSPENSION

KEY: P = Plastic, A = Alloy, B = Brass, CF = Carbon Fibre, S2 = Schumacher Composite, M = Medium, S = Stiff, Sh = Short, H = High, L = Low, F = Front, R = Rear, Y = Yes, N = No

Ride Height mm
 Wheelbase Sh M L
 Anti-Squat 1° 2° 3° 4°
 Toe 4° 3.5° 3° 2.5° 2° 1.5° 1.0° 0.5°
 Camber at Ride Height deg
 Anti Roll Bar 1.1 1.2 1.3 1.4
 Wing Gurney Height mm
 Rearward Shock Position Only A B
 Driveshaft Type CVD U/J

Notes:



TRANSMISSION

Diff Height H M L
 Diff Oil
 Diff Type B 2g 4g
 Motor
 Rotor Dia. mm
 Timing deg
 Pinion t
 Spur t
 Motor Plate A CF
 Lock Out Y N
 Slipper Plates 2 3

CHASSIS

Chassis A C/F
 Side Pods S C/F
 Chassis Insert +5mm
 LiPo Position 1 2 3 4 5 6 7 8
 X Brace Y N
 Running Weight
 Radio Tray 1 2 3
 Notes:

EQUIPMENT

E.S.C.
 Servo
 RX
 LiPo
 Bodysell

WEIGHTS

Chassis F R
 Rear Strap F R
 Radio Tray Y N
 Under LiPo Y N

SHOCKS

KEY: i = Internal, e = External, V = Vented, S = Sealed, A = Aeration

	FRONT	REAR
Cap	<input type="checkbox"/> V <input type="checkbox"/> S <input type="checkbox"/> A <input type="checkbox"/>	<input type="checkbox"/> V <input type="checkbox"/> S <input type="checkbox"/> A <input type="checkbox"/>
Body	Kashima	Kashima
Oil	500 cSt	350 cSt
Piston	3x1.5mm	3x1.6mm
Spring	blue lb/in	green lb/in
Limiters (i)	0 mm	0 mm
Stroke	22.5 mm	28.5 mm
Limiters (e)	0 mm	0 mm

Notes:

