

# SET UP SHEET



Driver: \_\_\_\_\_ Date: \_\_\_\_\_ Event/Track: \_\_\_\_\_  
 Qualify: \_\_\_\_\_ Final: \_\_\_\_\_ Best Lap: \_\_\_\_\_

## TRACK TYPE

Grip Level  High  Medium  Low   
 Type  Tight  Open  Mixed   
 Condition  Flat  Bumpy  Mixed   
 Surface  Clay  Long Astro  Carpet   
 Grass  Short Astro  Mixed   
 Weather \_\_\_\_\_

## TYRES

	FRONT	REAR
Tyres	_____	_____
Wheels	_____	_____
Inserts	_____	_____

Notes:

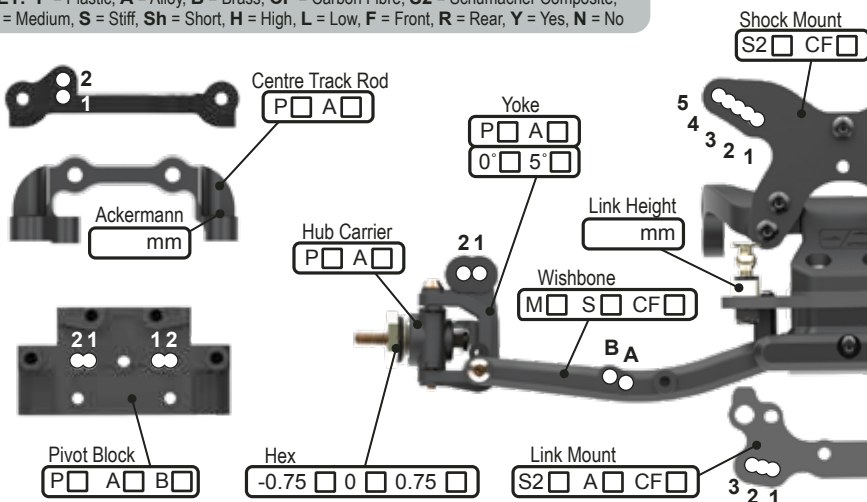
Notes:

## FRONT SUSPENSION

KEY: P = Plastic, A = Alloy, B = Brass, CF = Carbon Fibre, S2 = Schumacher Composite, M = Medium, S = Stiff, Sh = Short, H = High, L = Low, F = Front, R = Rear, Y = Yes, N = No

Ride Height \_\_\_\_\_ mm  
 Wheelbase  0  +1.5  +3.0  +4.5  
 Toe \_\_\_\_\_ deg In  Out   
 Camber at Ride Height \_\_\_\_\_ deg  
 Anti Roll Bar  0.9  1.0  1.1  1.2  
 Front Wing  Y  N  
 Hub Height  H  M  L  
 Bump Steer Washers \_\_\_\_\_ mm  
 Pivot Block Height  H  M  L

Notes:

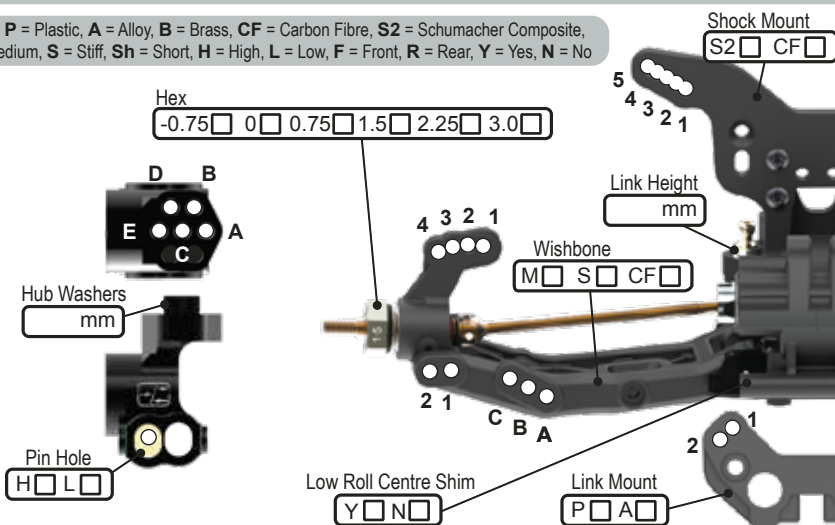


## REAR SUSPENSION

KEY: P = Plastic, A = Alloy, B = Brass, CF = Carbon Fibre, S2 = Schumacher Composite, M = Medium, S = Stiff, Sh = Short, H = High, L = Low, F = Front, R = Rear, Y = Yes, N = No

Ride Height \_\_\_\_\_ mm  
 Wheelbase  Sh  M  L  
 Anti-Squat  1°  2°  3°  4°  
 Toe  4°  3.5°  3°  2.5°  2°  1.5°  1.0°  0.5°  
 Camber at Ride Height \_\_\_\_\_ deg  
 Anti Roll Bar  1.0  1.1  1.2  1.3  1.4  
 Wing Gurney Height \_\_\_\_\_ mm  
 Rearward Shock Position Only  A  B  
 Driveshaft Type  CVD  U/J

Notes:



## TRANSMISSION

Diff Height  H  M  L  
 Diff Oil \_\_\_\_\_ cSt  
 Diff Type  B  2g  4g  
 Motor \_\_\_\_\_  
 Rotor Dia. \_\_\_\_\_ mm  
 Timing \_\_\_\_\_ deg  
 Pinion \_\_\_\_\_ t  
 Spur \_\_\_\_\_ t  
 Motor Plate  A  CF  
 Lock Out  Y  N  
 Slipper Plates  2  3

## CHASSIS

Chassis  A  C/F  
 Side Pods  S  C/F  
 Chassis Insert \_\_\_\_\_  
 0mm  +5mm  
 LiPo Position  
 1 2 3 4 5 6 7 8  
         
 X Brace  Y  N  
 Running Weight \_\_\_\_\_ g  
 Radio Tray  1  2  3  
 Notes:

## EQUIPMENT

E.S.C. \_\_\_\_\_  
 Servo \_\_\_\_\_  
 RX \_\_\_\_\_  
 LiPo \_\_\_\_\_  
 Bodyshell \_\_\_\_\_

## WEIGHTS

Chassis  F  R  
 Rear Strap  F  R  
 Radio Tray  Y  N  
 Under LiPo  Y  N

## SHOCKS

KEY: i = Internal, e = External, V = Vented, S = Sealed, A = Aeration

	FRONT	REAR
Cap	<input type="checkbox"/> V <input type="checkbox"/> S <input type="checkbox"/> A	<input type="checkbox"/> V <input type="checkbox"/> S <input type="checkbox"/> A
Body	_____	_____
Oil	_____ cSt	_____ cSt
Piston	_____	_____
Spring	_____ lb/in	_____ lb/in
Limiters (i)	_____ mm	_____ mm
Stroke	_____ mm	_____ mm
Limiters (e)	_____ mm	_____ mm

Notes:

