

SET UP SHEET



Driver: Broc Champlin Date: 7.17.2021 Event/Track: Utah State Champs / Eatons Intermountain Raceway
 Qualify: 1st Final: 1st Best Lap: 14.5

TRACK TYPE

Grip Level High Medium Low
 Type Tight Open Mixed
 Condition Flat Bumpy Mixed
 Surface Clay Long Astro Carpet
 Grass Short Astro Mixed
 Weather 80 degrees F

TYRES

	FRONT	REAR
Tyres	Jconcepts Silver Ellipse	Jconcepts Silver Ellipse
Wheels	Jconcepts Mono	Jconcepts Mono
Inserts	Jconcepts Dirt Tech	Jconcepts Dirt Tech

Notes:

Notes:

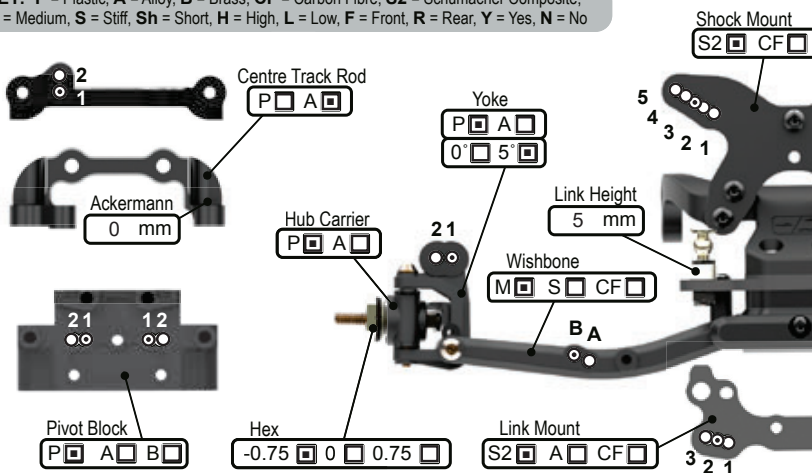
ESC settings 0-4-3-2-3-0-1
 Full Titanium Screw Kit and Turnbuckles

FRONT SUSPENSION

KEY: P = Plastic, A = Alloy, B = Brass, CF = Carbon Fibre, S2 = Schumacher Composite, M = Medium, S = Stiff, Sh = Short, H = High, L = Low, F = Front, R = Rear, Y = Yes, N = No

Ride Height 20 mm
 Wheelbase 0 +1.5 +3.0 +4.5
 Toe 1 deg In Out
 Camber at Ride Height -2 deg
 Anti Roll Bar 0.9 1.0 1.1 1.2
 Front Wing Y N
 Hub Height H M L
 Bump Steer Washers 3 mm
 Pivot Block Height H M L

Notes:

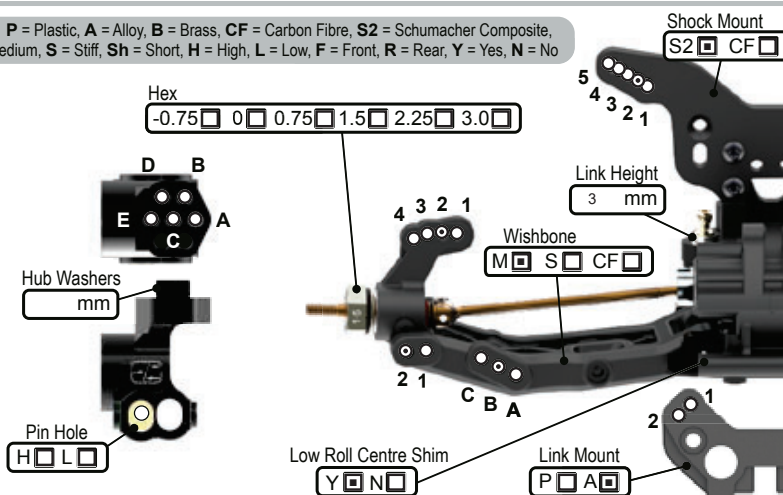


REAR SUSPENSION

KEY: P = Plastic, A = Alloy, B = Brass, CF = Carbon Fibre, S2 = Schumacher Composite, M = Medium, S = Stiff, Sh = Short, H = High, L = Low, F = Front, R = Rear, Y = Yes, N = No

Ride Height 20 mm
 Wheelbase Sh M L
 Anti-Squat 1° 2° 3° 4°
 Toe 4° 3.5° 3° 2.5° 2° 1.5° 1.0° 0.5°
 Camber at Ride Height -1.5 deg
 Anti Roll Bar 1.0 1.1 1.2 1.3 1.4
 Wing Gurney Height cut line mm
 Rearward Shock Position Only A B
 Driveshaft Type CVD U/J

Notes:



TRANSMISSION

Diff Height H M L
 Diff Oil cSt
 Diff Type B 2g 4g
 Motor LRP 7.5
 Rotor Dia. 12.2 mm
 Timing standard deg
 Pinion 21 t
 Spur 78 t
 Motor Plate A CF
 Lock Out Y N
 Slipper Plates 2 3

CHASSIS

Chassis A C/F
 Side Pods S C/F
 Chassis Insert 0mm +5mm
 LiPo Position 1 2 3 4 5 6 7 8
 X Brace Y N
 Running Weight 1534 g
 Radio Tray 1 2 3
 Notes:

EQUIPMENT

E.S.C. LRP Flow X Offroad
 Servo MKS 599 SL
 RX Sanwa
 LiPo LRP 4600 mAh
 Bodyshell Penguin LD

WEIGHTS

Chassis F R
 Rear Strap F R
 Radio Tray Y N
 Under LiPo Y N

SHOCKS

KEY: i = Internal, e = External, V = Vented, S = Sealed, A = Aeration

	FRONT	REAR
Cap	V <input type="checkbox"/> S <input type="checkbox"/> A <input type="checkbox"/>	V <input type="checkbox"/> S <input type="checkbox"/> A <input type="checkbox"/>
Body	Kashima	Kashima
Oil	450 cSt	350 cSt
Piston	2x1.8 (black)	2x2.1 (black)
Spring	Blue lb/in	Red lb/in
Limiters (i)	0 mm	0 mm
Stroke	22 mm	28 mm
Limiters (e)	0 mm	0 mm

Notes:

