

SET UP SHEET



Driver: Broc Champlin Date: 6/6/2023 Event/Track: Worlds Warm Up @ Hobby Action
 Qualify: 3rd Final: 2nd Best Lap:

TRACK TYPE

Grip Level High Medium Low
 Type Tight Open Mixed
 Condition Flat Bumpy Mixed
 Surface Clay Long Astro Carpet
 Grass Short Astro Mixed
 Weather Fair 75 F

TYRES

	FRONT	REAR
Tyres	-----	-----
Wheels	-----	-----
Inserts	-----	-----

Notes:

Notes:

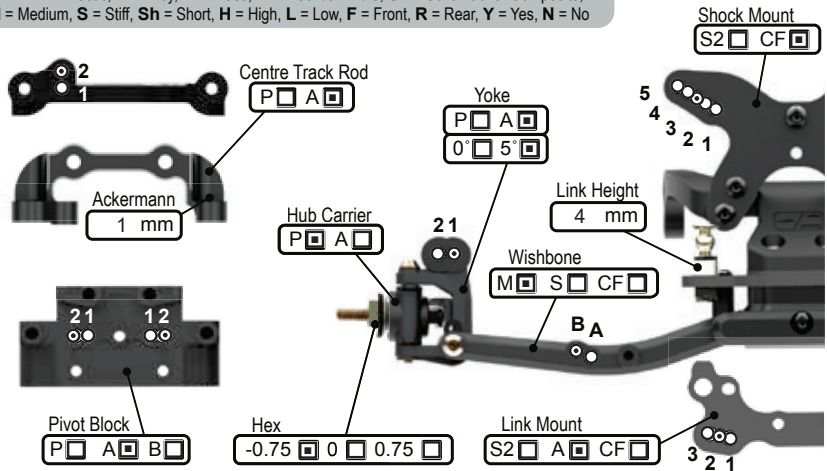
Whitz Racing Products:
 Titanium Upper Screw Kit (HyperLite)
 Titanium Turnbuckles (HyperMax)
 Ceramic Bearings (HyperGlide)

FRONT SUSPENSION

KEY: P = Plastic, A = Alloy, B = Brass, CF = Carbon Fibre, S2 = Schumacher Composite, M = Medium, S = Stiff, Sh = Short, H = High, L = Low, F = Front, R = Rear, Y = Yes, N = No

Ride Height 19 mm
 Wheelbase 0 +1.5 +3.0 +4.5
 Toe 1 deg In Out
 Camber at Ride Height 1 deg
 Anti Roll Bar 0.9 1.0 1.1 1.2
 Front Wing Y N
 Hub Height H M L
 Bump Steer Washers 3 mm
 Pivot Block Height H M L

Notes:

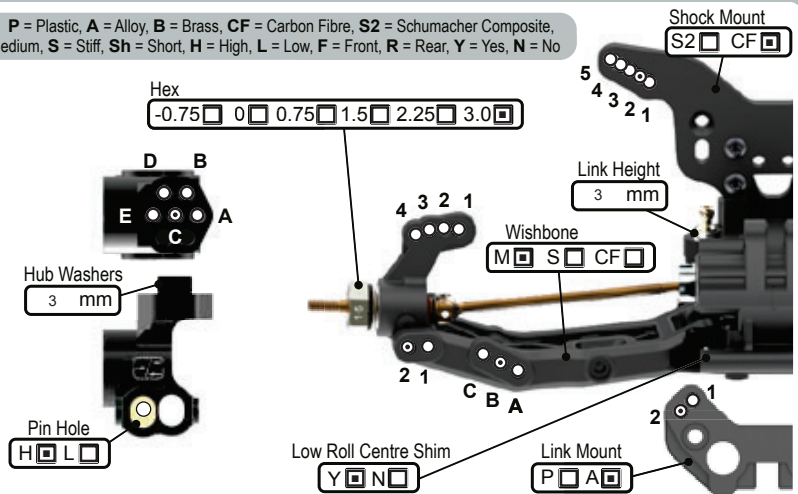


REAR SUSPENSION

KEY: P = Plastic, A = Alloy, B = Brass, CF = Carbon Fibre, S2 = Schumacher Composite, M = Medium, S = Stiff, Sh = Short, H = High, L = Low, F = Front, R = Rear, Y = Yes, N = No

Ride Height 19 mm
 Wheelbase Sh M L
 Anti-Squat 1° 2° 3° 4°
 Toe 4° 3.5° 3° 2.5° 2° 1.5° 1.0° 0.5°
 Camber at Ride Height 1 deg
 Anti Roll Bar 1.0 1.1 1.2 1.3 1.4
 Wing Gurney Height mm
 Rearward Shock Position Only A B
 Driveshaft Type CVD U/J

Notes:



TRANSMISSION

Diff Height H M L
 Diff Oil cSt
 Diff Type B 2g 4g
 Motor LRP 7.0 X22
 Rotor Dia. 12.5 mm
 Timing 0 deg
 Pinion 21 t
 Spur 78 t
 Motor Plate A CF
 Lock Out Y N
 Slipper Plates 2 3

CHASSIS

Chassis A C/F
 Side Pods S C/F
 Chassis Insert 0mm +5mm
 LiPo Position 1 2 3 4 5 6 7 8
 X Brace Y N
 Running Weight 1540 g
 Radio Tray 1 2 3
 Notes:

EQUIPMENT

E.S.C. LRP Flow X Offroad
 Servo MKS HBL 599 SL
 RX
 LiPo LRP LCG 4200 mAh
 Bodyshell Jconcepts S2

WEIGHTS

Chassis F R
 Rear Strap F R
 Radio Tray Y N
 Under LiPo Y N

SHOCKS

KEY: i = Internal, e = External, V = Vented, S = Sealed, A = Aeration

	FRONT	REAR
Cap	V <input type="checkbox"/> S <input type="checkbox"/> A <input type="checkbox"/>	V <input type="checkbox"/> S <input type="checkbox"/> A <input type="checkbox"/>
Body	Kashima	Kashima
Oil	450 cSt	400 cSt
Piston	1.7x1.8 x 1.1	1.8x1.8 x 1.1
Spring	AE Blue lb/in	AE Grey lb/in
Limiters (i)	0 mm	0 mm
Stroke	22.5 mm	29 mm
Limiters (e)	2 mm	0 mm

Notes:

