



SET UP SHEET

Driver: _____ Date: _____ Event/Track: *Grass track*

Qualify: _____ Final: _____ Best Lap: _____

TRACK TYPE

Grip Level High Medium Low

Type Tight Open Mixed

Condition Flat Bumpy

Surface Clay Long Astro Carpet

Grass Short Astro

Weather _____

TYRES

FRONT	REAR
Tyres <i>Yellow stagger (Uncut)</i>	<i>Yellow Minispike</i>
Wheels _____	_____
Inserts _____	<i>Schumacher med blue</i>
Notes _____	

Notes _____

FRONT SUSPENSION

Ride Height *20* mm

Wheelbase 0 +1.5 +3.0 +4.5

Toe *-1* deg In Out

Camber at Ride Height *-1.5* deg

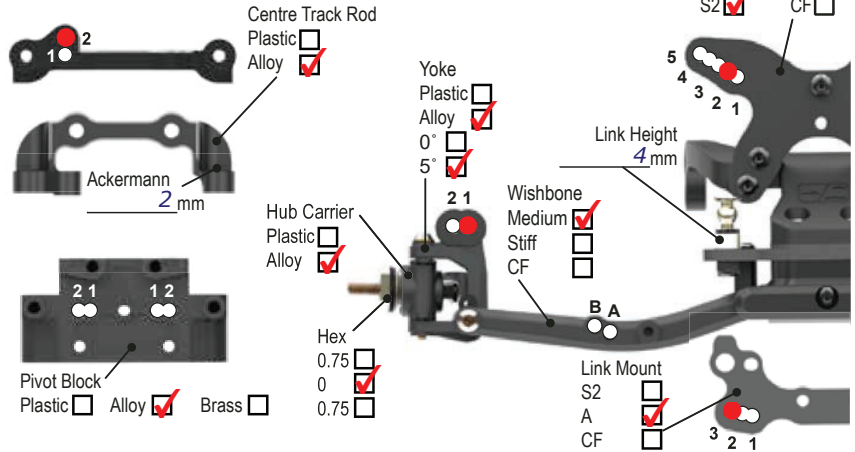
Anti Roll Bar 0.9 1.0 1.1 1.2

Front Wing Yes No

Hub Height High Middle Low

Bump Steer Washers *4* mm

Pivot Block Height High Middle Low



REAR SUSPENSION

Ride Height *20* mm

Wheelbase Short Medium Long

Anti-Squat 1° 2° 3° 4°

Toe 0.5° 1° 1.5° 2° 2.5° 3° 3.5° 4°

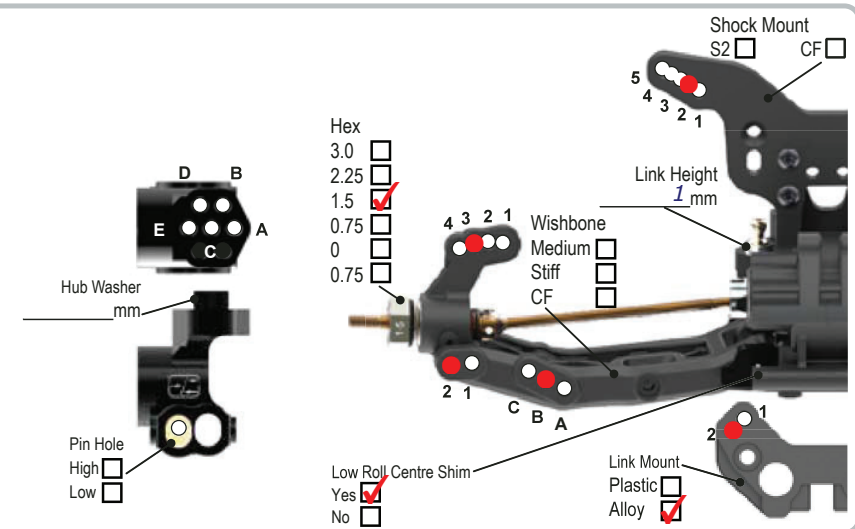
Camber at Ride Height *-1.5* deg

Anti Roll Bar 1.0 1.1 1.2 1.3 1.4

Wing Gurney Height _____ mm

Rearward Shock Position Only A B

Driveshaft Type CVD U/J



Notes *Potentially CVD if grass gets blown out*

TRANSMISSION

Diff Height H M L

Diff Oil cSt _____

Diff Type B 2g 4g

Motor _____

Rotor Dia. _____ mm

Timing _____ deg

Pinion _____ t

Spur _____ t

Motor Plate A CF

Lock Out Yes No

Slipper Plates 2 3

CHASSIS

Chassis A C/F

Side Pods S C/F

Insert 0mm +5mm

LiPo Position 1 2 3 4 5 6 7 8

X Brace Yes No

Running Weight _____ g

Radio Tray 1 2 3

Notes _____

EQUIPMENT

E.S.C. _____

Servo _____

Receiver _____

LiPo _____

Bodyshell _____

WEIGHTS

Chassis Fr Rr

Rear Strap Fr Rr

Radio Tray Yes

Under LiPo Yes

SHOCKS

V = Vented, S = Sealed, A = Aeration

	FRONT	REAR
Cap	V <input type="checkbox"/> S <input type="checkbox"/> A <input checked="" type="checkbox"/>	V <input type="checkbox"/> S <input type="checkbox"/> A <input checked="" type="checkbox"/>
Body	<i>Kashima</i>	<i>Kashima</i>
Oil	<i>400</i> cSt	<i>300</i> cSt
Piston	<i>2x1.8</i>	<i>2x2.1</i>
Spring	<i>Blue</i> lb/in	<i>Green</i> lb/in
Limiter In	_____ mm	_____ mm
Stroke	<i>22.3</i> mm	<i>28</i> mm
Limiter Out	_____ mm	_____ mm



Notes _____