

| Driver & Event |                 |
|----------------|-----------------|
| Name           | MICHAL ORLOWSKI |
| Date           | 11/17           |
| Event          | WORLDS 2017     |
| Weather        | 23°C            |
| Result         |                 |

| Track Conditions |                                                                                                                                                                          |
|------------------|--------------------------------------------------------------------------------------------------------------------------------------------------------------------------|
| Grip Level       | High <input type="checkbox"/> Med <input checked="" type="checkbox"/> Low <input type="checkbox"/>                                                                       |
| Type             | Tight <input type="checkbox"/> Open <input checked="" type="checkbox"/> Mixed <input type="checkbox"/>                                                                   |
| Surface          | Clay <input checked="" type="checkbox"/> Astro <input type="checkbox"/> Grass <input type="checkbox"/><br>Mixed <input type="checkbox"/> Carpet <input type="checkbox"/> |
| Condition        | Smooth <input type="checkbox"/> Bumpy <input checked="" type="checkbox"/>                                                                                                |

| Differential    |                                                                                                    |
|-----------------|----------------------------------------------------------------------------------------------------|
| Diff Oil F..... | 15K cSt R.....15K cSt                                                                              |
| Diff Height F   | High <input type="checkbox"/> Mid <input type="checkbox"/> Low <input checked="" type="checkbox"/> |
| Diff Height R   | High <input checked="" type="checkbox"/> Mid <input type="checkbox"/> Low <input type="checkbox"/> |


| Electrics & Chassis     |                                                                                                         |
|-------------------------|---------------------------------------------------------------------------------------------------------|
| E.S.C                   | LRP FLOW-X                                                                                              |
| Servo                   | SANWA ERG-BX                                                                                            |
| Reciever                | SANWA RX-481                                                                                            |
| Lipo                    | LRP SHORTY 3500                                                                                         |
| Shorty LiPo             | Front <input checked="" type="checkbox"/> Middle <input type="checkbox"/> Rear <input type="checkbox"/> |
| Centre Topdeck          | Yes <input type="checkbox"/> No <input checked="" type="checkbox"/>                                     |
| Front Topdeck Thickness | 2.5mm <input checked="" type="checkbox"/> 3.0mm <input type="checkbox"/>                                |
| Rear Topdeck Thickness  | 2.5mm <input type="checkbox"/> 3.0mm <input checked="" type="checkbox"/>                                |

| Wheels & Tyres |                      |
|----------------|----------------------|
| Rr Tyre        | SW TENDROID SW-101YC |
| Rr Wheel       | CONTROL WHEEL        |
| Rr Insert      | SW CLOSED CELL       |
| Fr Tyre        | SW TENDROID SW-101F  |
| Fr Wheel       | CONTROL WHEEL        |
| Fr Insert      | SW CLOSED CELL       |

| Motor & Gearing |              |
|-----------------|--------------|
| Motor           | LRP X22 6.0T |
| Rotor Diameter  | STD mm       |
| Timing          | 27.5 Deg     |
| Spur            | 83T          |
| Pinion          | 21T          |


| Other settings           |                                                                                                            |
|--------------------------|------------------------------------------------------------------------------------------------------------|
| Car Weight               | 1630 g                                                                                                     |
| Alloy Wing Mount         | High <input type="checkbox"/> Low <input type="checkbox"/>                                                 |
| Rear Wing Gurney Height  | 10 mm                                                                                                      |
| Front Wing               | Small <input type="checkbox"/> Big <input type="checkbox"/>                                                |
| Front Wing Gurney Height | mm                                                                                                         |
| Slipper                  | 2Plate <input checked="" type="checkbox"/> 3Plate <input type="checkbox"/> 4Plate <input type="checkbox"/> |
| Rear Hex                 | 0 <input checked="" type="checkbox"/> 0.75 <input type="checkbox"/> 1.5 <input type="checkbox"/>           |
| Front Hex                | 0 <input checked="" type="checkbox"/> 0.75 <input type="checkbox"/> 1.5 <input type="checkbox"/>           |

| Front Shocks           |                                                                                                              |
|------------------------|--------------------------------------------------------------------------------------------------------------|
| Oil.....               | 450 cSt                                                                                                      |
| Spring                 | 3.4 GREEN lb/in                                                                                              |
| Shock Cap              | Sealed <input type="checkbox"/> Vented <input type="checkbox"/> Aeration <input checked="" type="checkbox"/> |
| Piston                 | BLK 2 HOLE Drilled <input type="checkbox"/> Hole Size.....1.6 mm                                             |
| Internal Limiters..... | 0.0 mm Kashima Body No <input checked="" type="checkbox"/> Yes <input type="checkbox"/>                      |



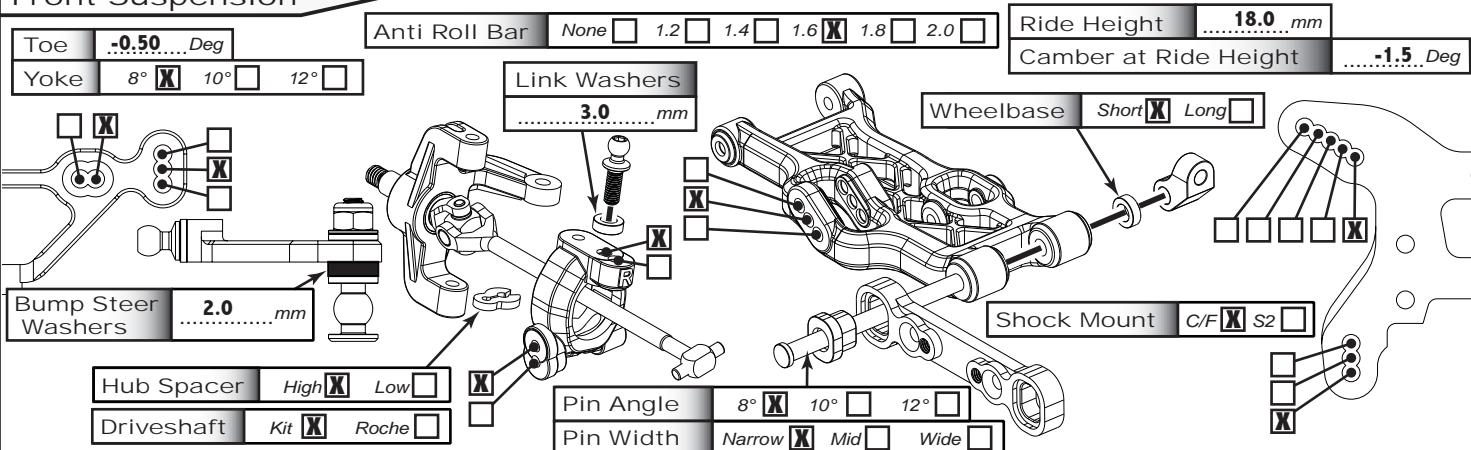
24.0 mm

| Rear Shocks                  |                                                                                                              |
|------------------------------|--------------------------------------------------------------------------------------------------------------|
| Oil.....                     | 300 cSt                                                                                                      |
| Spring                       | 2.4 BLUE lb/in                                                                                               |
| Shock Cap                    | Sealed <input type="checkbox"/> Vented <input type="checkbox"/> Aeration <input checked="" type="checkbox"/> |
| Piston                       | RED 2 HOLE Drilled <input checked="" type="checkbox"/> Hole Size.....1.7 mm                                  |
| Internal Limiters.....       | 0.0 mm Kashima Body No <input checked="" type="checkbox"/> Yes <input type="checkbox"/>                      |
| Shock Stand Off Spacing..... | 3.0 mm                                                                                                       |

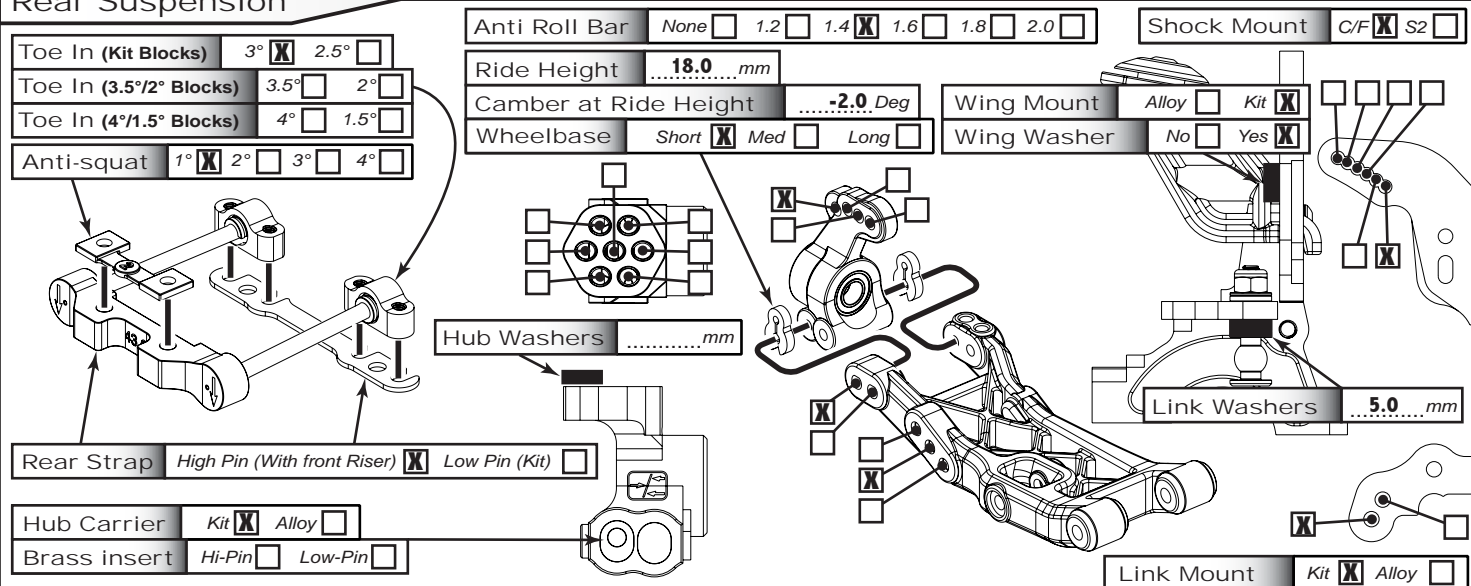


27.5 mm

| Front Suspension      |                                                                                                                                                                                           |
|-----------------------|-------------------------------------------------------------------------------------------------------------------------------------------------------------------------------------------|
| Toe                   | -0.50 Deg                                                                                                                                                                                 |
| Yoke                  | 8° <input checked="" type="checkbox"/> 10° <input type="checkbox"/> 12° <input type="checkbox"/>                                                                                          |
| Anti Roll Bar         | None <input type="checkbox"/> 1.2 <input type="checkbox"/> 1.4 <input type="checkbox"/> 1.6 <input checked="" type="checkbox"/> 1.8 <input type="checkbox"/> 2.0 <input type="checkbox"/> |
| Ride Height           | 18.0 mm                                                                                                                                                                                   |
| Camber at Ride Height | -1.5 Deg                                                                                                                                                                                  |
| Link Washers          | 3.0 mm                                                                                                                                                                                    |
| Wheelbase             | Short <input checked="" type="checkbox"/> Long <input type="checkbox"/>                                                                                                                   |
| Bump Steer Washers    | 2.0 mm                                                                                                                                                                                    |
| Hub Spacer            | High <input checked="" type="checkbox"/> Low <input type="checkbox"/>                                                                                                                     |
| Driveshaft            | Kit <input checked="" type="checkbox"/> Roche <input type="checkbox"/>                                                                                                                    |
| Pin Angle             | 8° <input checked="" type="checkbox"/> 10° <input type="checkbox"/> 12° <input type="checkbox"/>                                                                                          |
| Pin Width             | Narrow <input checked="" type="checkbox"/> Mid <input type="checkbox"/> Wide <input type="checkbox"/>                                                                                     |
| Shock Mount           | C/F <input checked="" type="checkbox"/> S2 <input type="checkbox"/>                                                                                                                       |



| Rear Suspension         |                                                                                                                                                                                           |
|-------------------------|-------------------------------------------------------------------------------------------------------------------------------------------------------------------------------------------|
| Toe In (Kit Blocks)     | 3° <input checked="" type="checkbox"/> 2.5° <input type="checkbox"/>                                                                                                                      |
| Toe In (3.5°/2° Blocks) | 3.5° <input type="checkbox"/> 2° <input type="checkbox"/>                                                                                                                                 |
| Toe In (4°/1.5° Blocks) | 4° <input type="checkbox"/> 1.5° <input type="checkbox"/>                                                                                                                                 |
| Anti-squat              | 1° <input checked="" type="checkbox"/> 2° <input type="checkbox"/> 3° <input type="checkbox"/> 4° <input type="checkbox"/>                                                                |
| Anti Roll Bar           | None <input type="checkbox"/> 1.2 <input type="checkbox"/> 1.4 <input checked="" type="checkbox"/> 1.6 <input type="checkbox"/> 1.8 <input type="checkbox"/> 2.0 <input type="checkbox"/> |
| Ride Height             | 18.0 mm                                                                                                                                                                                   |
| Camber at Ride Height   | -2.0 Deg                                                                                                                                                                                  |
| Wheelbase               | Short <input checked="" type="checkbox"/> Med <input type="checkbox"/> Long <input type="checkbox"/>                                                                                      |
| Shock Mount             | C/F <input checked="" type="checkbox"/> S2 <input type="checkbox"/>                                                                                                                       |
| Wing Mount              | Alloy <input type="checkbox"/> Kit <input checked="" type="checkbox"/>                                                                                                                    |
| Wing Washer             | No <input type="checkbox"/> Yes <input checked="" type="checkbox"/>                                                                                                                       |
| Hub Washers             | mm                                                                                                                                                                                        |
| Link Washers            | 5.0 mm                                                                                                                                                                                    |
| Rear Strap              | High Pin (With front Riser) <input checked="" type="checkbox"/> Low Pin (Kit) <input type="checkbox"/>                                                                                    |
| Hub Carrier             | Kit <input checked="" type="checkbox"/> Alloy <input type="checkbox"/>                                                                                                                    |
| Brass insert            | Hi-Pin <input type="checkbox"/> Low-Pin <input type="checkbox"/>                                                                                                                          |
| Link Mount              | Kit <input checked="" type="checkbox"/> Alloy <input type="checkbox"/>                                                                                                                    |



Notes