

Driver: wesley Date: 2023 Event/Track: gp kampenhout
 Qualify: 2 Final: 2 Best Lap: 24

TRACK TYPE

Grip Level High Medium Low
 Type Tight Open Mixed
 Condition Flat Bumpy Mixed
 Surface Clay Long Astro Carpet
 Grass Short Astro Mixed
 Weather dry 20gr

TYRES

	FRONT	REAR
Tyres	mezzo	mezzo
Wheels		
Inserts	tubby	tubby

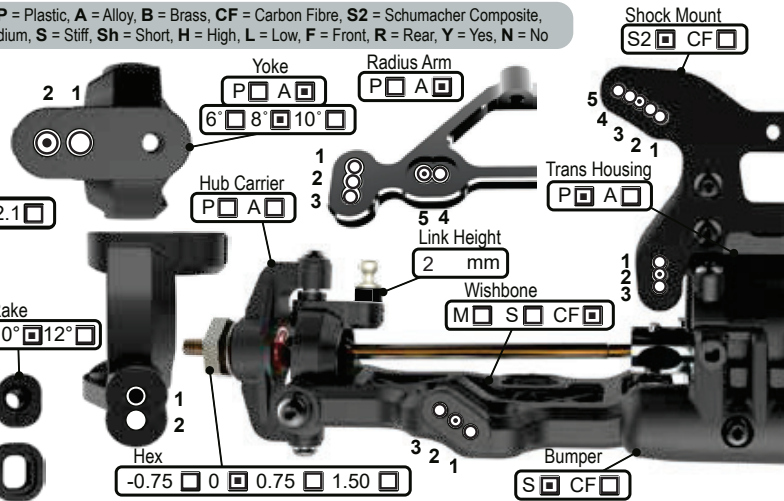
Notes:

ackerman 2 on radius arm
 rear hub high

FRONT SUSPENSION

KEY: P = Plastic, A = Alloy, B = Brass, CF = Carbon Fibre, S2 = Schumacher Composite, M = Medium, S = Stiff, Sh = Short, H = High, L = Low, F = Front, R = Rear, Y = Yes, N = No

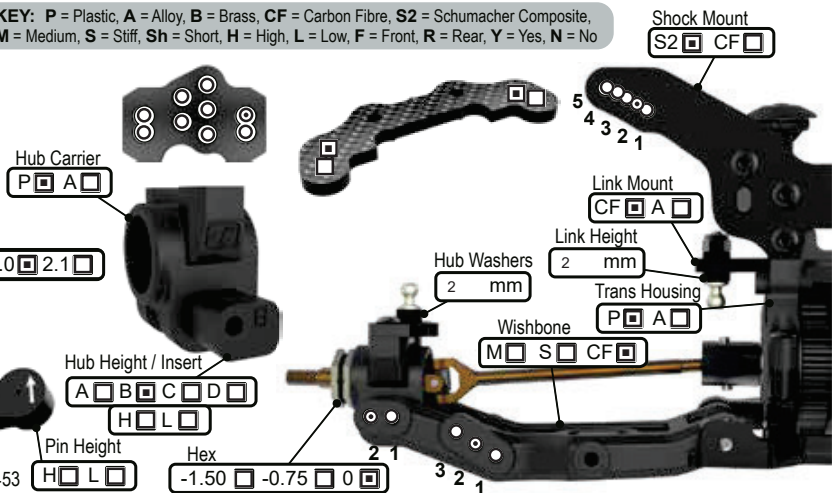
Ride Height 18 mm
 Wheelbase Long Short
 Toe 1 deg In Out
 Camber at Ride Height -1 deg
 Anti Roll Bar None 1.2 1.4 1.6 1.8 1.9 2.0 2.1
 Hub Height H L
 Bump Steer Washers 0 mm
 Hingepin Height H L
 Driveshaft Type Roche U/J
 Steering Arm Kit 1 Dot 2 Dot 3 Dot
 Track Narrow Mid Wide
 Front Strap A B



REAR SUSPENSION

KEY: P = Plastic, A = Alloy, B = Brass, CF = Carbon Fibre, S2 = Schumacher Composite, M = Medium, S = Stiff, Sh = Short, H = High, L = Low, F = Front, R = Rear, Y = Yes, N = No

Ride Height 19 mm
 Wheelbase Sh M L
 Anti-Squat 1 2 3 4
 Toe 4 3.5 3 2.5 2 1.5 1.0 0.5
 Camber at Ride Height -1.5 deg
 Anti Roll Bar None 1.2 1.4 1.6 1.8 1.9 2.0 2.1
 Wing Gurney Height 5 mm
 Driveshaft Type CVD U/J
 Gearbox Riser Y N
 Hub Height / Insert A B C D
 Pin Height H L
 High Pin Requires U8453



CHASSIS

Chassis A C/F
 LiPo Position R F
 Running Weight 9
 Front Topdeck S2 CF

WEIGHTS

Radio Tray Y N
 ESC Tray Y N
 Pinion 18 t
 Spur kit t
 R.O.S Y N
 Lock Out Y N
 Slipper Plates 2 3

EQUIPMENT

E.S.C. flow x
 Servo evolution rc
 RX sanwa
 LiPo lrp 4200 lcg
 Bodysell jc
 Wing jc

TRANSMISSION

Diff Height Front H M L Diff Height Rear H M L
 Diff Oil Front 20 cSt Diff Oil Rear 12 cSt
 Diff Gears Front 2 4 Diff Gears Rear 2 4
 Diff Body Front P A CF Diff Body Rear P A CF

SHOCKS

KEY: i = Internal, e = External, V = Vented, S = Sealed, A = Aeration

	FRONT	REAR
Cap	V <input type="checkbox"/> S <input type="checkbox"/> A <input type="checkbox"/>	V <input type="checkbox"/> S <input type="checkbox"/> A <input type="checkbox"/>
Kashima	Y <input type="checkbox"/> N <input type="checkbox"/>	Y <input type="checkbox"/> N <input type="checkbox"/>
Oil	550 cSt	400 cSt
Piston	2x1.6	2x1.8
Spring	orange lb/in	blue lb/in
Limiters (i)	mm	mm
Stroke	22.5 mm	28 mm
Limiters (e)	mm	mm
Shock Stand Off	3 mm	

Notes:

