

SET UP SHEET



Driver: Daniel Kobbevik

Date: 20.2.2024

Event/Track: Mibosport International 2024

Qualify: 3

Final: 3

Best Lap:

TRACK TYPE

Grip Level High Medium Low

Type Tight Open Mixed

Condition Flat Bumpy Mixed

Surface Clay Long Astro Carpet
Grass Short Astro Mixed

Weather INDOOR

TYRES

	FRONT	REAR
Tyres	FUSION 2	CACTUS
Wheels	SCHUMACHER	SCHUMACHER
Inserts	SCHUMACHER	SCHUMACHER

Notes:
GLUED FRONT SIDEWALL

Notes:

1UP TITANIUM SCREWS, TURNBUCKLES

FRONT SUSPENSION

KEY: P = Plastic, A = Alloy, B = Brass, CF = Carbon Fibre, S2 = Schumacher Composite, M = Medium, S = Stiff, Sh = Short, H = High, L = Low, F = Front, R = Rear, Y = Yes, N = No

Ride Height 13 mm

Wheelbase Long Short

Toe 1 deg In Out

Camber at Ride Height 1.5 deg

Anti Roll Bar None 1.2 1.4 1.6 1.8 1.9 2.0 2.1

Hub Height H L

Bump Steer Washers 0 mm

Hingepin Height H L

Driveshaft Type Roche U/J

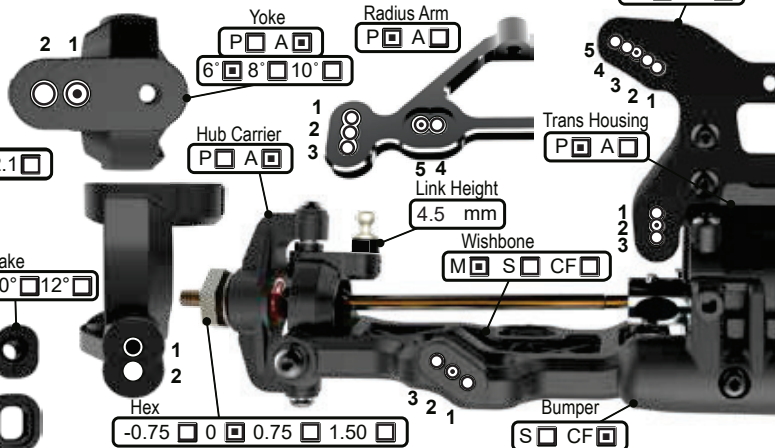
Steering Arm Kit 1 Dot 2 Dot 3 Dot

Track Narrow Mid Wide

Front Strap A B

Rake 8° 10° 12°

Hex -0.75 0 0.75 1.50



REAR SUSPENSION

KEY: P = Plastic, A = Alloy, B = Brass, CF = Carbon Fibre, S2 = Schumacher Composite, M = Medium, S = Stiff, Sh = Short, H = High, L = Low, F = Front, R = Rear, Y = Yes, N = No

Ride Height 13 mm

Wheelbase Sh M L

Anti-Squat 1° 2° 3° 4°

Toe 4° 3.5° 3° 2.5° 2° 1.5° 1.0° 0.5°

Camber at Ride Height 1.5 deg

Anti Roll Bar None 1.2 1.4 1.6 1.8 1.9 2.0 2.1

Wing Gurney Height mm

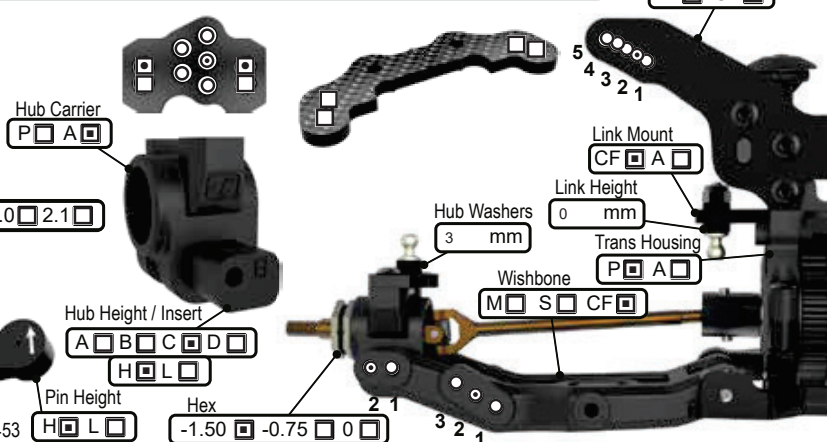
Driveshaft Type CVD U/J

Gearbox Riser Y N

Hub Height / Insert A B C D H L

Pin Height H L

Hex -1.50 -0.75 0



CHASSIS

Chassis A C/F

LiPo Position R F

Running Weight 9

Front Topdeck S2 CF

Motor 4.5 HOBBYWING

Rotor Dia. 12.5 mm

Timing 30 deg

Diff Height Front H M L Diff Height Rear H M L

Diff Oil Front 30 cSt Diff Oil Rear 60 cSt

Diff Gears Front 2 4 Diff Gears Rear 2 4

Diff Body Front P A CF Diff Body Rear P A CF

WEIGHTS

Radio Tray Y N

ESC Tray Y N

Pinion 18 t

Spur 83 t

R.O.S Y N

Lock Out Y N

Slipper Plates 2 3

EQUIPMENT

E.S.C. HOBBYWING

Servo SANWA

RX SANWA

LiPo NOSRAM

Bodyshell JC F2

Wing 6INCH JC

TRANSMISSION

SHOCKS

KEY: i = Internal, e = External, V = Vented, S = Sealed, A = Aeration

	FRONT	REAR
Cap	V <input type="checkbox"/> S <input type="checkbox"/> A <input type="checkbox"/>	V <input type="checkbox"/> S <input type="checkbox"/> A <input type="checkbox"/>
Kashima	Y <input type="checkbox"/> N <input type="checkbox"/>	Y <input type="checkbox"/> N <input type="checkbox"/>
Oil	650 cSt	500 cSt
Piston	1.6	1.7
Spring	BLUE lb/in	BLACK lb/in
Limiters (i)	0 mm	0 mm
Stroke	22 mm	28 mm
Limiters (e)	0 mm	ORING mm
Shock Stand Off	3 mm	

Notes:

