

Driver: Broc Champlin Date: 12/6/23 Event/Track: Hobby Action INS
 Qualify: --- Final: --- Best Lap: ---

TRACK TYPE

Grip Level High Medium Low
 Type Tight Open Mixed
 Condition Flat Bumpy Mixed
 Surface Clay Long Astro Carpet
 Grass Short Astro Mixed
 Weather 65 F

TYRES

	FRONT	REAR
Tyres	Jconcepts Smoothie	Jconcepts Smoothie
Wheels	Jconcepts #3353	Jconcepts
Inserts	---	---

Notes:

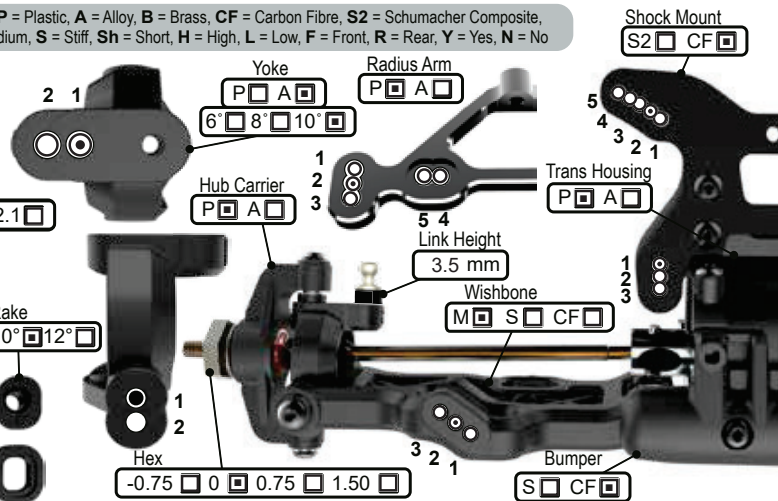
Notes:

Front Rear Strap Shimmed up 3mm
 L1evo Front tower / L1evo front pill inserts
 B rear hub insert w/ hole low so the hub is high
 Wide rear ballstud mount. hub location all out

FRONT SUSPENSION

KEY: P = Plastic, A = Alloy, B = Brass, CF = Carbon Fibre, S2 = Schumacher Composite, M = Medium, S = Stiff, Sh = Short, H = High, L = Low, F = Front, R = Rear, Y = Yes, N = No

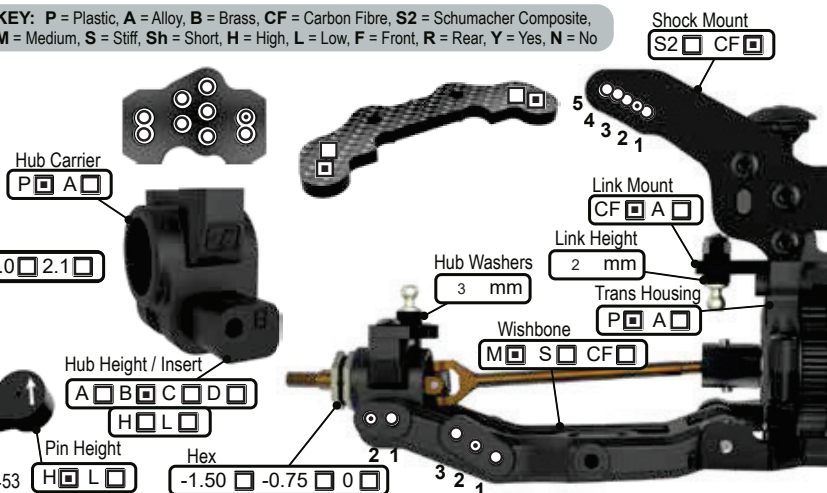
Ride Height 16 mm
 Wheelbase Long Short
 Toe 1 deg In Out
 Camber at Ride Height 1.5 deg
 Anti Roll Bar None 1.2 1.4 1.6 1.8 1.9 2.0 2.1
 Hub Height H L
 Bump Steer Washers 1 mm
 Hingepin Height H L
 Driveshaft Type Roche U/J
 Steering Arm Kit 1 Dot 2 Dot 3 Dot
 Track Narrow Mid Wide
 Front Strap A B



REAR SUSPENSION

KEY: P = Plastic, A = Alloy, B = Brass, CF = Carbon Fibre, S2 = Schumacher Composite, M = Medium, S = Stiff, Sh = Short, H = High, L = Low, F = Front, R = Rear, Y = Yes, N = No

Ride Height 16 mm
 Wheelbase Sh M L
 Anti-Squat 1 2 3 4
 Toe 4 3.5 3 2.5 2 1.5 1.0 0.5
 Camber at Ride Height -1.5 deg
 Anti Roll Bar None 1.2 1.4 1.6 1.8 1.9 2.0 2.1
 Wing Gurney Height mm
 Driveshaft Type CVD U/J
 Gearbox Riser Y N
 Hub Height / Insert A B C D H L
 Pin Height H L
 High Pin Requires U8453
 Hex -1.50 -0.75 0



CHASSIS

Chassis A C/F
 LiPo Position R F
 Running Weight --- g
 Front Topdeck S2 CF

Motor 6.0
 Rotor Dia. 12.5 mm
 Timing 0 deg

WEIGHTS

Radio Tray Y N
 ESC Tray Y N
 Pinion 19 t
 Spur 83 t
 R.O.S Y N
 Lock Out Y N
 Slipper Plates 2 3

EQUIPMENT

E.S.C. LRP Flow X Offroad
 Servo MKS HBL599SL
 RX ---
 LiPo LRP 4200 mAh
 Bodysell B74 F2 Jconcepts
 Wing 7 inch Jconcepts

TRANSMISSION

Diff Height Front H M L Diff Height Rear H M L
 Diff Oil Front 20k cSt Diff Oil Rear 15k cSt
 Diff Gears Front 2 4 Diff Gears Rear 2 4
 Diff Body Front P A CF Diff Body Rear P A CF

SHOCKS

KEY: i = Internal, e = External, V = Vented, S = Sealed, A = Aeration

	FRONT	REAR
Cap	V <input type="checkbox"/> S <input type="checkbox"/> A <input type="checkbox"/>	V <input type="checkbox"/> S <input type="checkbox"/> A <input type="checkbox"/>
Kashima	Y <input type="checkbox"/> N <input type="checkbox"/>	Y <input type="checkbox"/> N <input type="checkbox"/>
Oil	37.5 cSt	30 cSt
Piston	2 hole 1.8x1.8	2 hole 1.9x1.9
Spring	13mm Yellow lb/in	13mm Blue lb/in
Limiters (i)	mm	mm
Stroke	22 mm	28.3 mm
Limiters (e)	2 mm	0 mm
Shock Stand Off	3 mm	

Notes:

