

Driver: Broc Champlin Date: 6/6/2023 Event/Track: Worlds Warm Up @ Hobby Action  
 Qualify: 3rd Final: 3rd Best Lap:

**TRACK TYPE**

Grip Level High  Medium  Low   
 Type Tight  Open  Mixed   
 Condition Flat  Bumpy  Mixed   
 Surface Clay  Long Astro  Carpet   
 Grass  Short Astro  Mixed   
 Weather Fair 75 F

**TYRES**

FRONT REAR  
 Tyres \_\_\_\_\_  
 Wheels \_\_\_\_\_  
 Inserts \_\_\_\_\_

Notes:

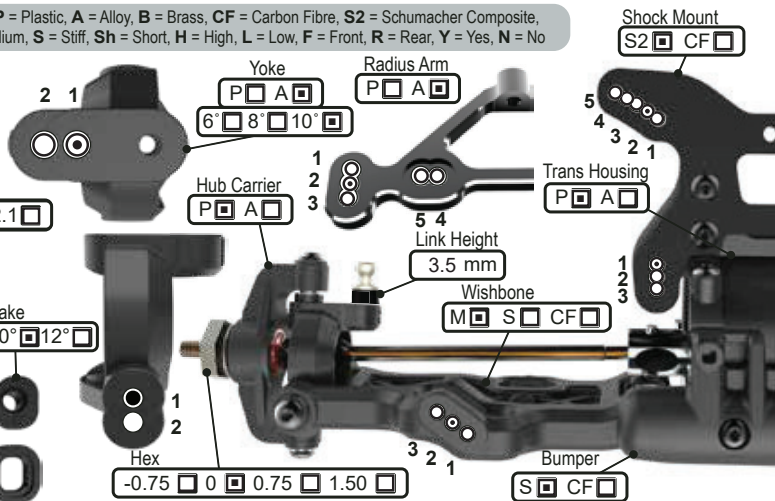
**Notes:**

Whitz Racing Products:  
 Titanium Upper Screw Kit (HyperLite)  
 Titanium Turnbuckles (HyperMax)  
 Ceramic Bearings (HyperGlide)

**FRONT SUSPENSION**

KEY: P = Plastic, A = Alloy, B = Brass, CF = Carbon Fibre, S2 = Schumacher Composite, M = Medium, S = Stiff, Sh = Short, H = High, L = Low, F = Front, R = Rear, Y = Yes, N = No

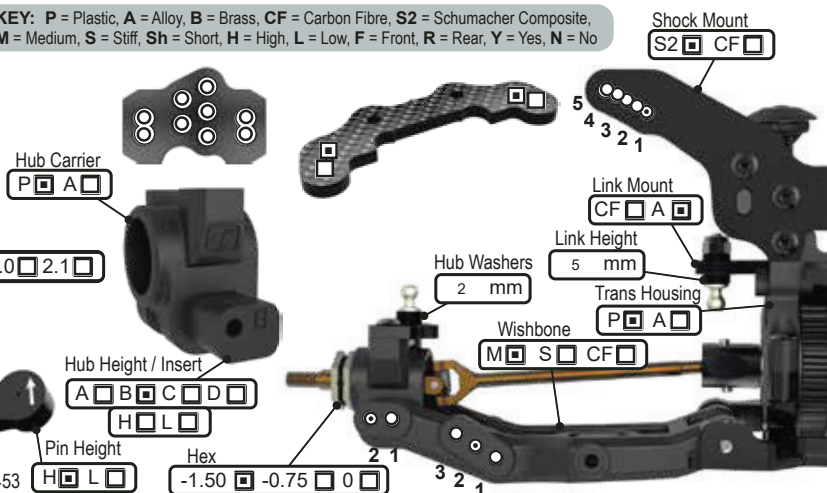
Ride Height 16 mm  
 Wheelbase Long  Short   
 Toe 1 deg In  Out   
 Camber at Ride Height 1 deg  
 Anti Roll Bar None  1.2  1.4  1.6  1.8  1.9  2.0  2.1   
 Hub Height H  L   
 Bump Steer Washers 0 mm  
 Hingepin Height H  L   
 Driveshaft Type Roche  U/J   
 Steering Arm Kit 1 Dot  2 Dot  3 Dot   
 Track Narrow  Mid  Wide   
 Front Strap A  B



**REAR SUSPENSION**

KEY: P = Plastic, A = Alloy, B = Brass, CF = Carbon Fibre, S2 = Schumacher Composite, M = Medium, S = Stiff, Sh = Short, H = High, L = Low, F = Front, R = Rear, Y = Yes, N = No

Ride Height 18 mm  
 Wheelbase Sh  M  L   
 Anti-Squat 1°  2°  3°  4°   
 Toe 4°  3.5°  3°  2.5°  2°  1.5°  1.0°  0.5°   
 Camber at Ride Height 1 deg  
 Anti Roll Bar None  1.2  1.4  1.6  1.8  1.9  2.0  2.1   
 Wing Gurney Height \_\_\_\_\_ mm  
 Driveshaft Type CVD  U/J   
 Gearbox Riser Y  N   
 Hub Height / Insert A  B  C  D  H  L   
 Pin Height H  L   
 High Pin Requires U8453



**CHASSIS**

Chassis A  C/F   
 LiPo Position R  F   
 Running Weight 1640 g  
 Front Topdeck S2  CF

Motor LRP 6.5 X22  
 Rotor Dia. 12.5 mm  
 Timing 0 deg

Diff Height Front H  M  L  Diff Height Rear H  M  L   
 Diff Oil Front 20,000 cSt Diff Oil Rear 20,000 cSt  
 Diff Gears Front 2  4  Diff Gears Rear 2  4   
 Diff Body Front P  A  CF  Diff Body Rear P  A  CF

**WEIGHTS**

Radio Tray Y  N   
 ESC Tray Y  N   
 Pinion 19 t  
 Spur 80 t  
 R.O.S Y  N   
 Lock Out Y  N   
 Slipper Plates 2  3

**EQUIPMENT**

E.S.C. LRP Flow X Offroad  
 Servo MKS HBL 599 SL  
 RX \_\_\_\_\_  
 LiPo LRP LCG 4200 mAh  
 Bodysell Jconcepts S2  
 Wing Jconcepts

**TRANSMISSION**

**SHOCKS**

KEY: i = Internal, e = External, V = Vented, S = Sealed, A = Aeration

	FRONT	REAR
Cap	V <input type="checkbox"/> S <input type="checkbox"/> A <input type="checkbox"/>	V <input type="checkbox"/> S <input type="checkbox"/> A <input type="checkbox"/>
Kashima	Y <input type="checkbox"/> N <input type="checkbox"/>	Y <input type="checkbox"/> N <input type="checkbox"/>
Oil	500 cSt	400 cSt
Piston	1.8x1.8	1.9x1.9
Spring	AE Yellow lb/in	AE Blue lb/in
Limiters (i)	0 mm	0 mm
Stroke	21.5 mm	29 mm
Limiters (e)	0 mm	2 mm
Shock Stand Off	2 mm	

Notes:

